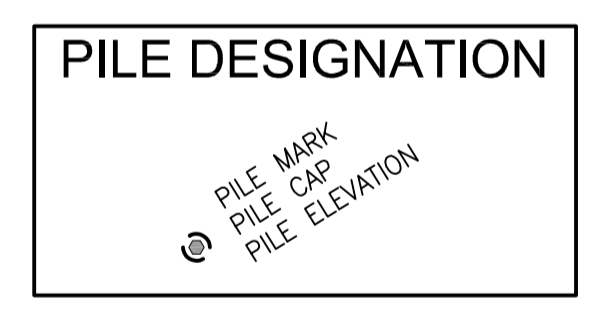


1R1 FOUNDATION PLAN
 SCALE: 1:100



PILE CUT-OFF SCHEDULE

MARK	T/O PILE ELEVATION
E1	EL. 98 160
E2	EL. 98 548
E3	EL. SEE LANDSCAPE ARCHITECT DRAWINGS

NOTES:
 - PILE CUT-OFF IS MEASURED TO T/O PILE

HEX PILE SCHEDULE

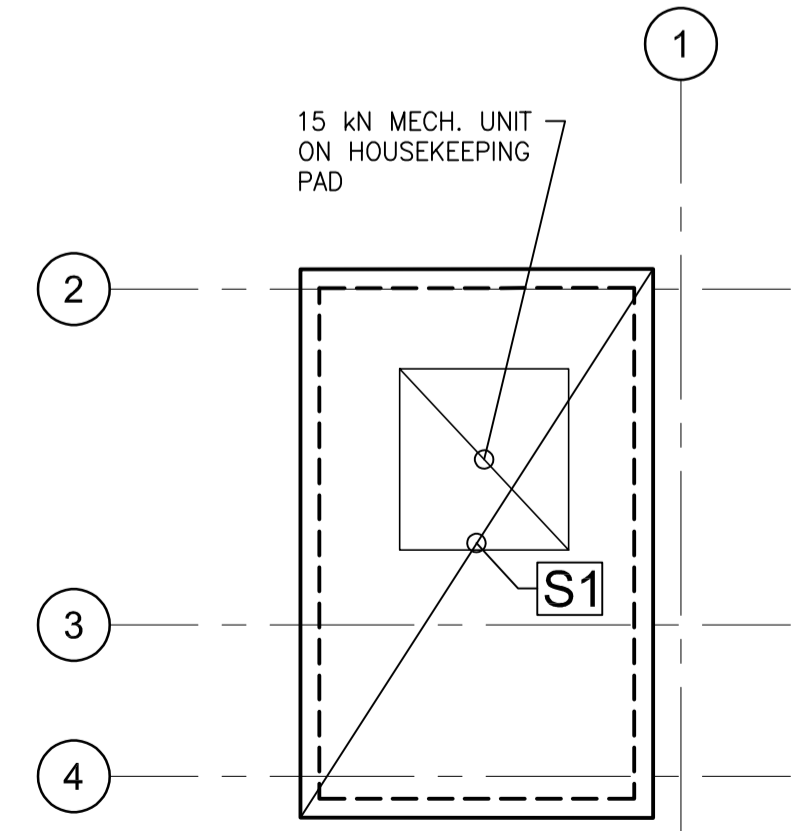
MARK	SIZE	DESIGN CAPACITY	
		ULS	SLS
P1	305mm ϕ	667 kN	578 kN
P2	355mm ϕ	934 kN	800 kN
P3	405mm ϕ	1200 kN	1023 kN

NOTES:
 - CENTRE PILES ON GRADE BEAMS AND CONCRETE WALLS TYP. U.N.O.
 - EXTEND PILE STRANDS 457mm MIN. INTO GRADE BEAMS, CONCRETE WALLS, PILE CAPS AND PILASTERS TYP.
 - A GEOTECHNICAL ENGINEER IN EMPLOY OF THE OWNER SHALL MONITOR INSTALLATION OF ALL PILES AND VERIFY CAPACITIES NOTED ABOVE ARE ACHIEVED.
 - FGR = 0.06

CIP PILE SCHEDULE

MARK	SIZE	LENGTH	REINFORCEMENT
P4	406mm ϕ	8600mm	6-15M VERTS. 10M TIES @600mm O/C

NOTES:
 - PILE LOCATIONS AS PER ARCH & LANDSCAPING
 - PILE REINFORCEMENT TO BE FULL LENGTH OF PILE.
 - ADD 2-RINGS INTO TOP 600mm OF PILE.
 - ULS = 18.4 kPa (FGR = 0.4)
 - SLS = 16.7 kPa
 - PILES TO BE CENTRED ON BEAM.



2 FOUNDATION PLAN
 SCALE: 1:100

TOWER PROJECT NO. : 181335

TOWER ENGINEERING GROUP
 UNIT 1-1140 WAVERLEY ST. WINNIPEG, MB R3T 0P4
 TEL: (204) 925-1150 FAX: (204) 925-1155
 EMAIL: towereng@towereng.ca WEB: www.towereng.ca
 • WINNIPEG • CALGARY

These design documents are prepared solely for the use by the party with whom the design professional has entered into a contract and there are no representations of any kind made by the design professional to any party with whom the design professional has not entered into a contract. Any use of the drawings, data or electronic data without the expressed written permission of Tower Engineering Inc. is strictly prohibited. The contractor is responsible to verify all dimensions with conditions on the site and report discrepancies to Tower Engineering for adjustment. All prints to be returned.

No.	Date	Issue / Revision	By
6.	2019-08-08	Addendum No. 01	LHT
5.	2019-07-08	Issued for Construction	LHT
4.	2019-06-26	Issued for 100% Pre-Tender Review	LHT
3.	2019-05-13	Issued for Pre-Tender Review	LHT
2.	2019-02-22	Design Development	LHT
1.	2018-12-17	Schematic Design Review	LHT

Drawn By: BKF
 Printing Date:

APEGM
 Certificate of Authorization
 Tower Engineering Group
 No. 4156 Expiry: April 30, 2020

Bill and Helen Norrie Library
 Project No.: 2017-082
 Tender No.: 542-2019
 Address: 15 Poseidon Bay, Winnipeg, MB.

Foundation Plan

Comm. No.: 1847
 Sheet: **S2.1R1**