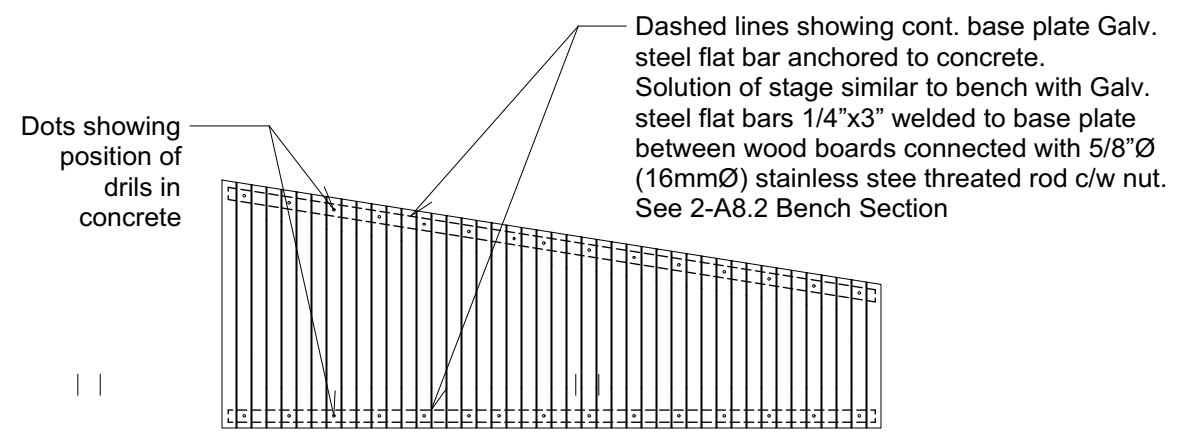
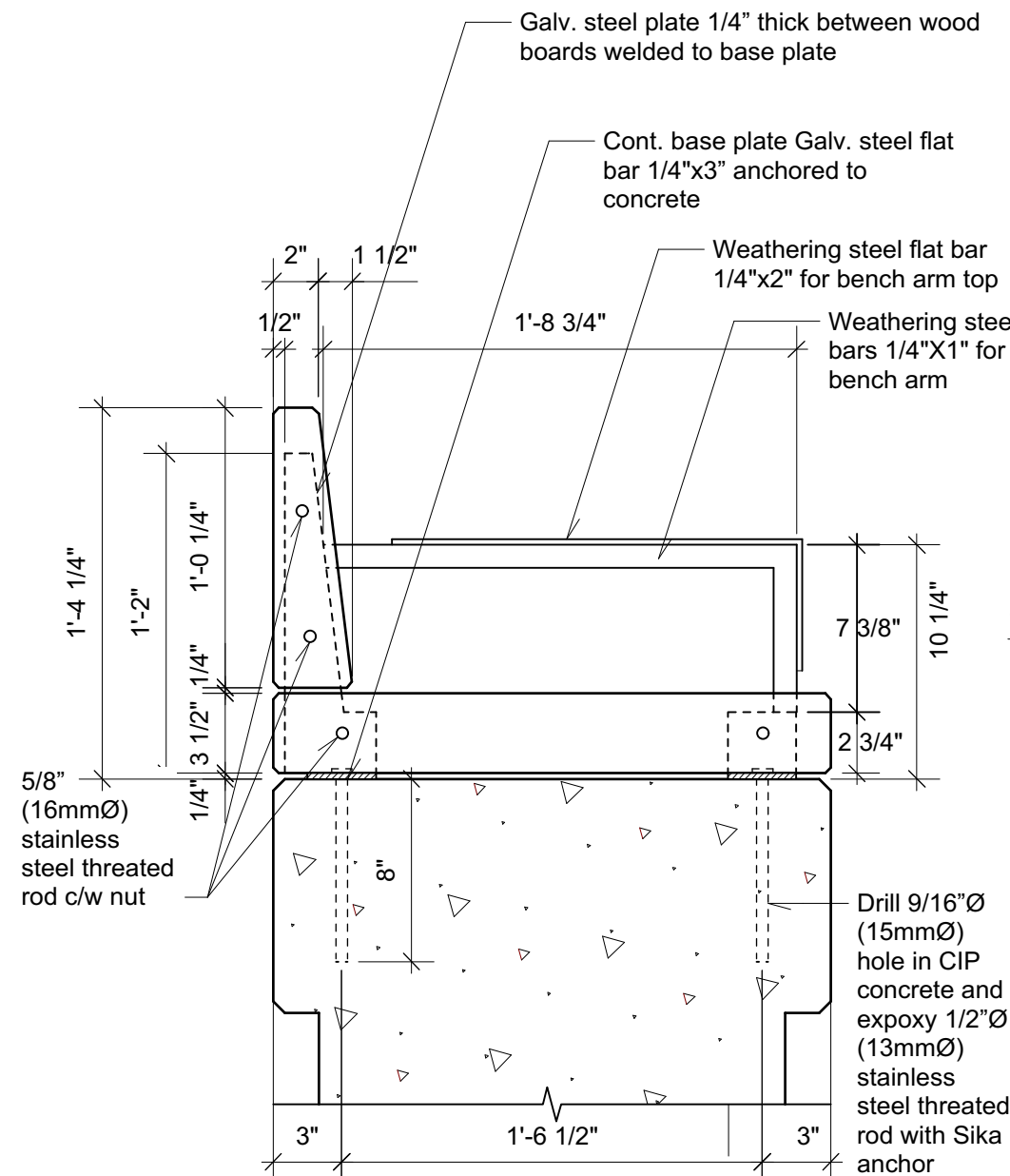


4 Bench and Stage Isometrics - West view
Scale: 1/4" = 1'-0"

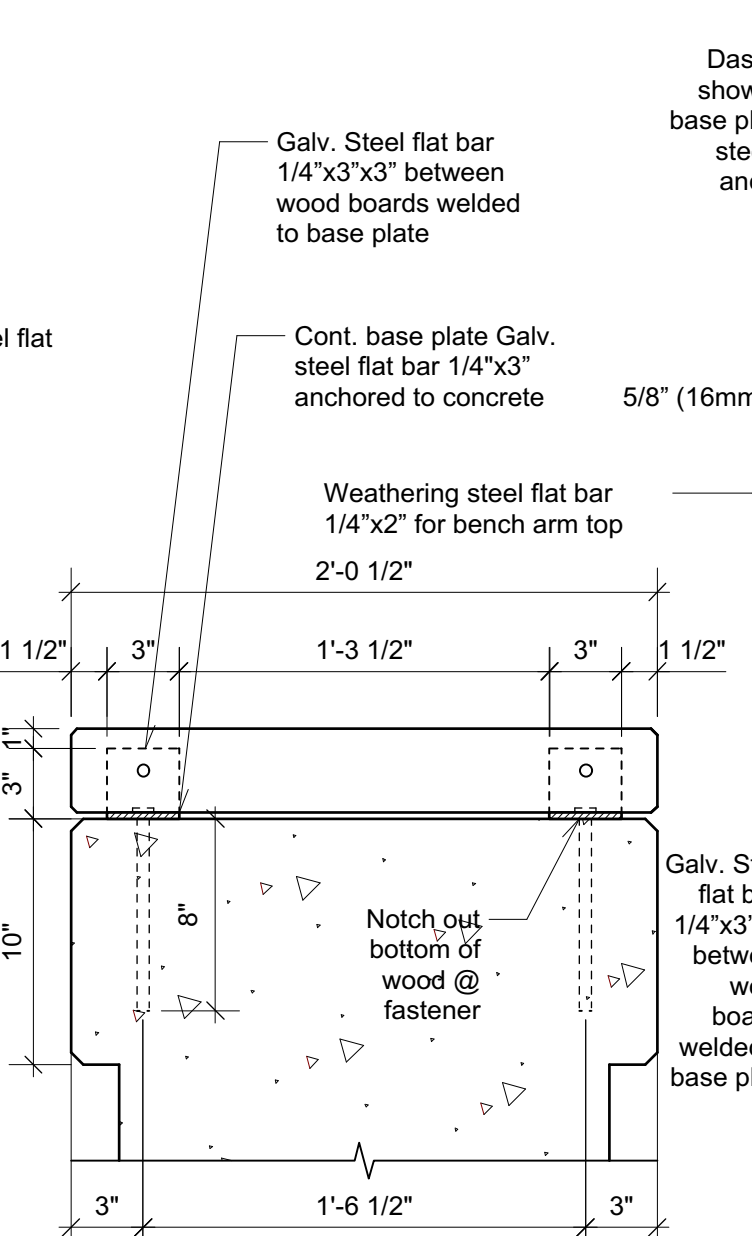
5 Bench and Stage Isometrics - West view
Scale: 1/4" = 1'-0"



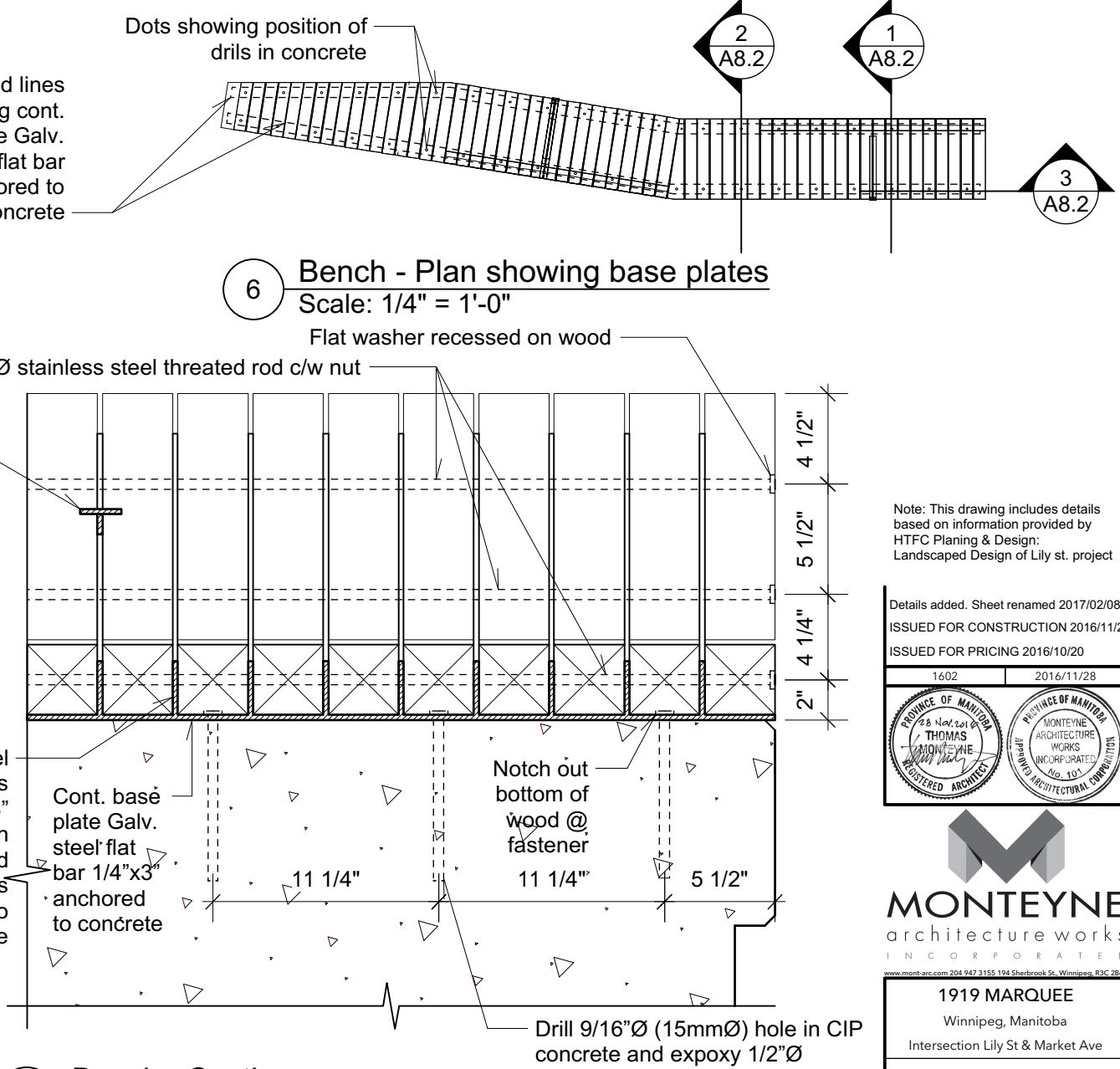
7 Stage - Plan showing base plates
Scale: 1/4" = 1'-0"



1 Bench - Section
Scale: 1 1/2" = 1'-0"



2 Bench - Section
Scale: 1 1/2" = 1'-0"

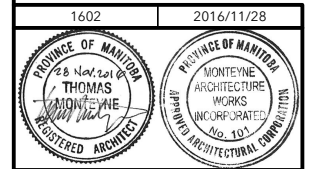


3 Bench - Section
Scale: 1 1/2" = 1'-0"

6 Bench - Plan showing base plates
Scale: 1/4" = 1'-0"

Note: This drawing includes details based on information provided by HTFC Planning & Design: Landscaped Design of Lily st. project

Details added. Sheet renamed 2017/02/08
ISSUED FOR CONSTRUCTION 2016/11/28
ISSUED FOR PRICING 2016/10/20



1919 MARQUEE
Winnipeg, Manitoba
Intersection Lily St & Market Ave
BENCH & STAGE