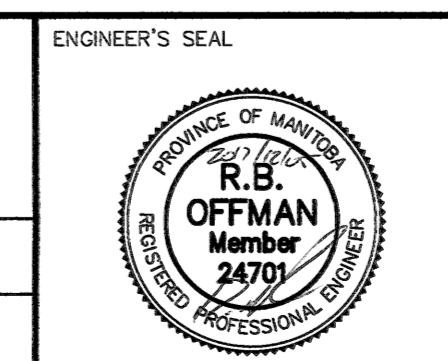
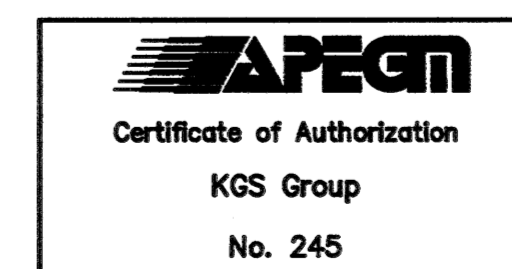
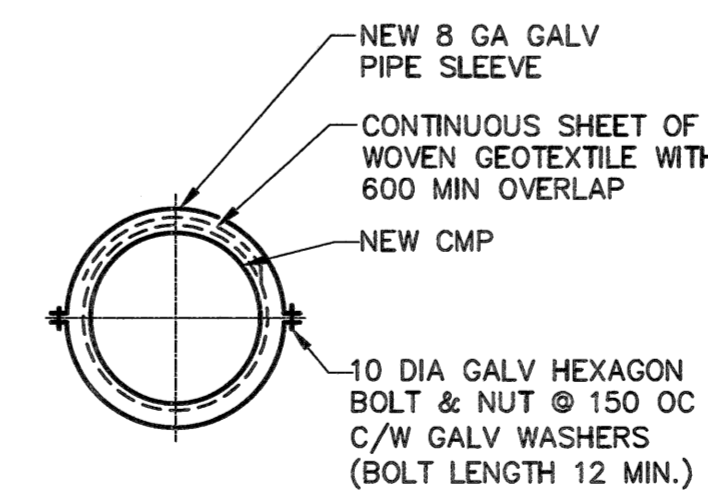
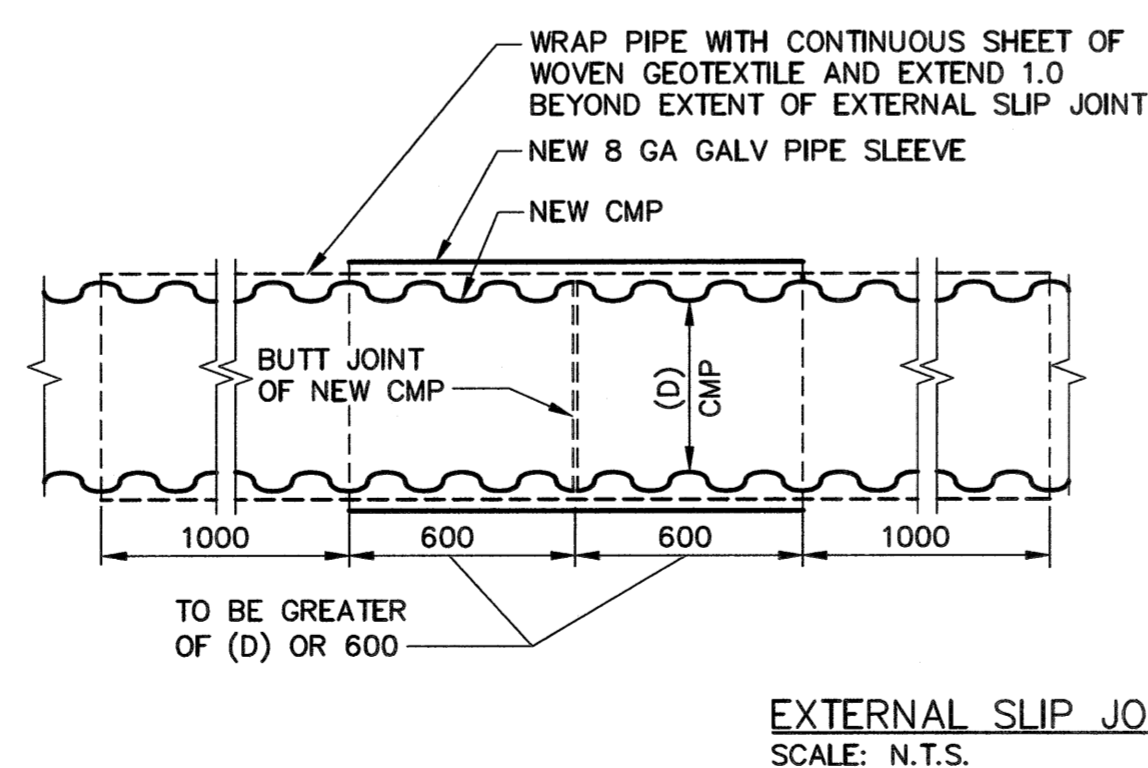
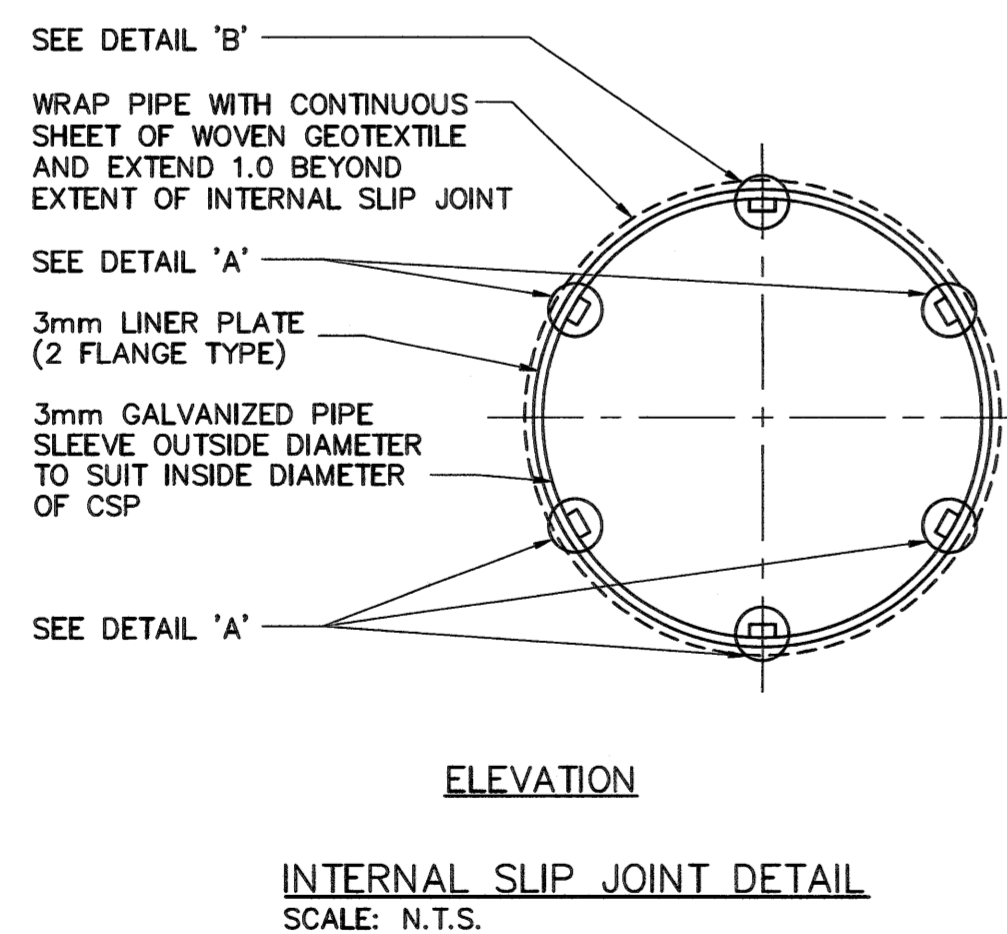


LOCATION	PIPE		END CONDITION	GRATING							
	DIAMETER D	MATERIAL		DIAMETER D1	TYPE	BAR DIA.	A	B	C	N	WEIGHT (lbs)
AMARYNTH CRESCENT (ST-9)	525	CSP	1	510±	X	20	125	125	130	2	24
LOTUS LANE (RR-30)	600	CSP	1	588±	X	15	150	138	150	2	22
LEMAY AVENUE (RR-2)	900	CSP	1	885±	X	20	150	75	165	4	42
VOYAGEUR AVENUE (ST-21)	1650	SPCSP	1	1635±	X	20	150	150	135	10	145
ASSINIBOINE CRESCENT (AS-34)	2250	SPCSP	1	2235±	Y	25	145	130	140	140	338

- NOTE:**
1. ALL PLATES AND BARS ARE CSA G40.21-300W.
  2. ALL COMPONENTS ARE GALVANIZED.
  3. ALL BOLTS TO BE TYPE 316 STAINLESS STEEL CONFORMING TO ASTM A320 GRADE B8M



**THE CITY OF WINNIPEG**  
WATER AND WASTE DEPARTMENT  
ENGINEERING DIVISION

2018 OUTFALL RENEWAL  
REHABILITATION PROGRAM

**MISCELLANEOUS DETAILS**  
SHEET 1 OF 2

SHEET 11 OF 14  
CITY DRAWING NUMBER  
**LD-8465**

LOCATION APPROVED UNDERGROUND STRUCTURES		B.M. ELEV.
SUPV. U/G STRUCTURES COMMITTEE	DATE	
NOTE:		
LOCATION OF UNDERGROUND STRUCTURES AS SHOWN ARE BASED ON THE BEST INFORMATION AVAILABLE BUT NO GUARANTEE IS GIVEN THAT ALL EXISTING UTILITIES ARE SHOWN OR THAT THE GIVEN LOCATIONS ARE EXACT. CONFIRMATION OF EXISTENCE AND EXACT LOCATION OF ALL SERVICES MUST BE OBTAINED FROM THE INDIVIDUAL UTILITIES BEFORE PROCEEDING WITH CONSTRUCTION.		
ISSUED FOR CONSTRUCTION	2017 12 05	
NO.	REVISIONS	DATE BY

KGS GROUP CONSULTING ENGINEERS	
DESIGNED BY NGV	CHECKED BY RBO
DRAWN BY GEL	APPROVED BY RBO
SCALE: HORIZONTAL AS NOTED	RELEASED FOR CONSTRUCTION
VERTICAL NA	DATE 2017 12 04

CONSULTANT DRAWING NUMBER  
17-0107-020\_LD-8465

**METRIC**  
WHOLE NUMBERS INDICATE MILLIMETRES  
DECIMALIZED NUMBERS INDICATE METRES