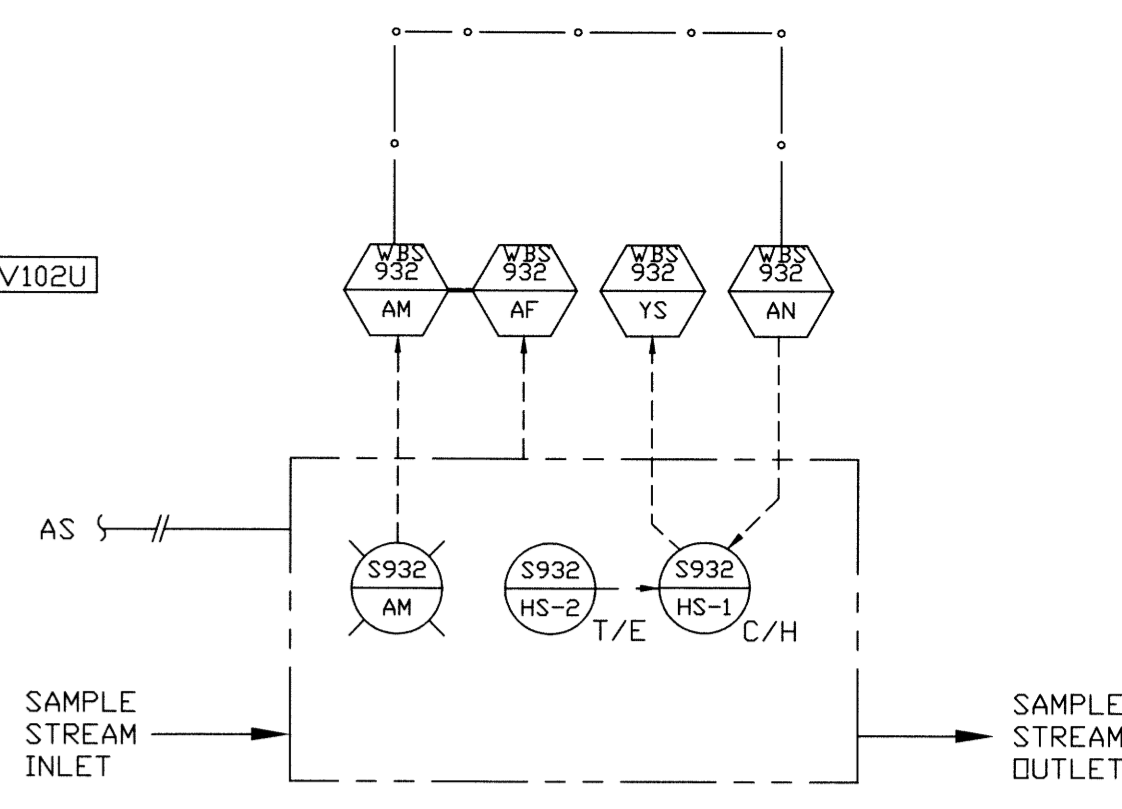
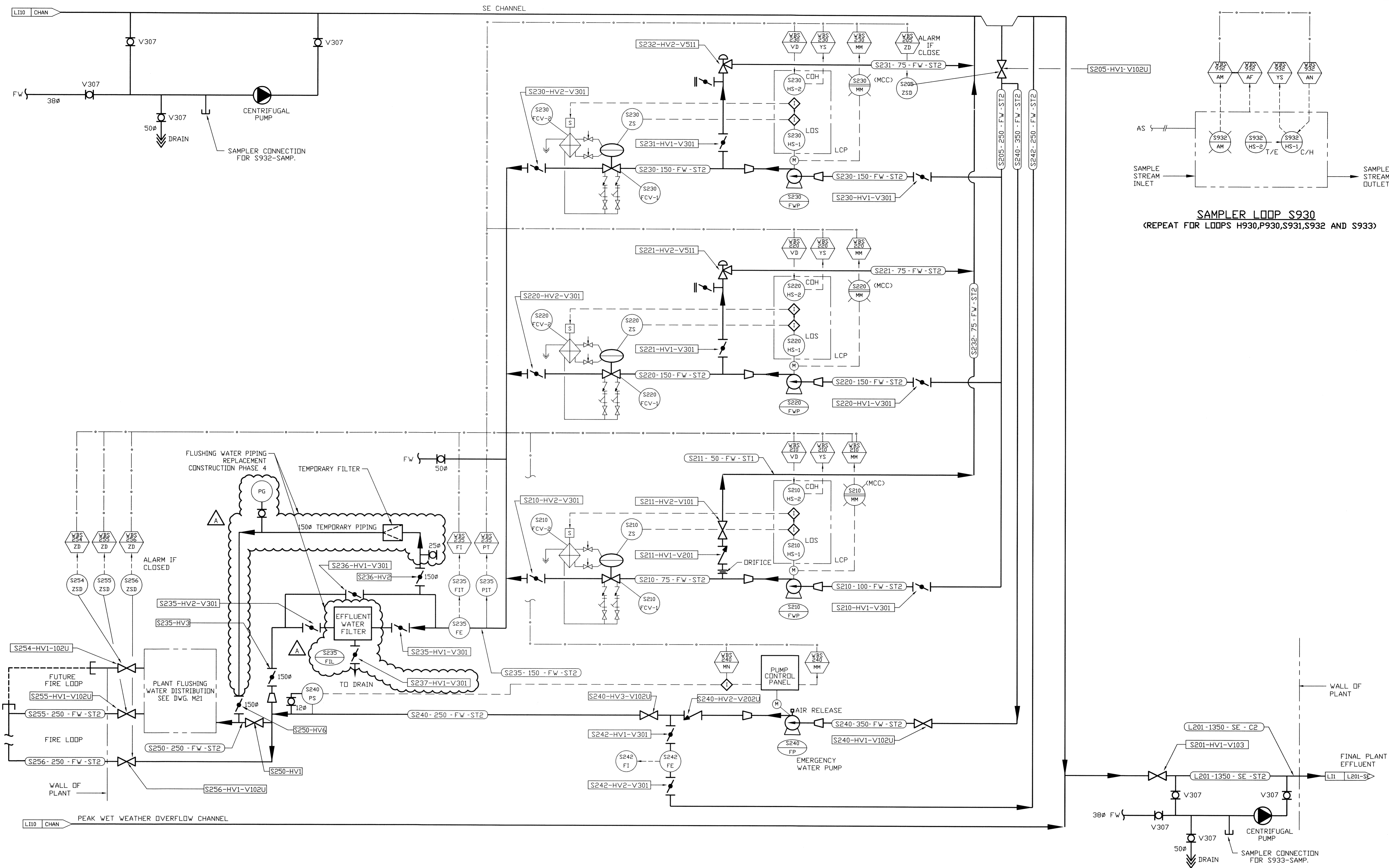


File Name: P:\Projects\2015\15-0107-012\DWG\Mech\15-0107-012_P1_4.dwg - Tab: P1.4 Plotted By: DDeroche 05/09/2016 [Mon 1:24pm]



THIS DRAWING IS BASED ON EXISTING SYSTEM P&ID,
 DRAWING NO. WEP-93 REV. 2



FIELD BOOK #				ENGINEER'S SEAL	
POSTED TO LBIS					
DESIGNED BY	JS	CHECKED BY	MSK	P1.4	
DRAWN BY	JFS	APPROVED BY	BS		
HDR. SCALE	AS NOTED	RELEASED FOR CONSTRUCTION			
VERTICAL	AS NOTED	DATE	2016 02 29	DATE 2016-05-07	
ISSUED FOR CONSTRUCTION	16/05/09				
NO. REVISIONS					

THE CITY OF WINNIPEG
 WATER AND WASTE DEPARTMENT

WEPCC FW PIPE REPLACEMENT
MECHANICAL
 FLUSHING WATER PIPE REPLACEMENT
 CONSTRUCTION PHASE 4
 PIPING AND INSTRUMENTATION DIAGRAM

SHEET 1 OF 1
 CITY DRAWING NUMBER
 1-0103S-P0026-001