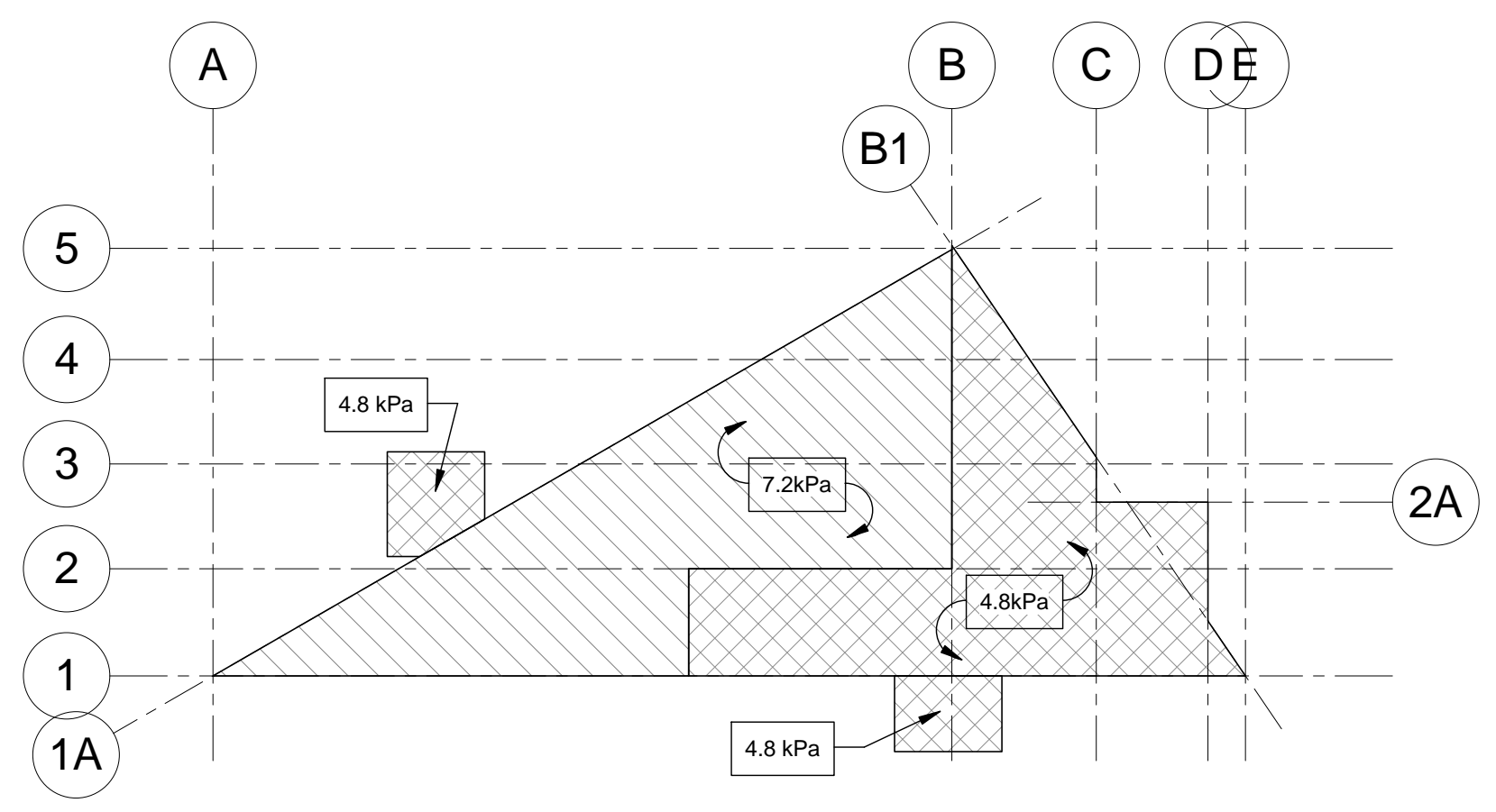


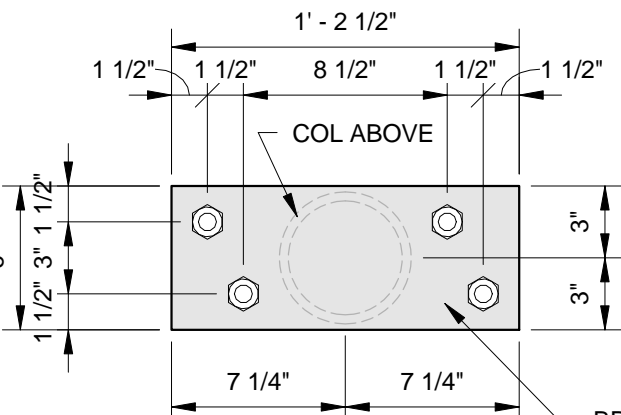
1 FOUNDATION & MAIN FLOOR FRAMING PLAN
S-1 3/32" = 1'-0"



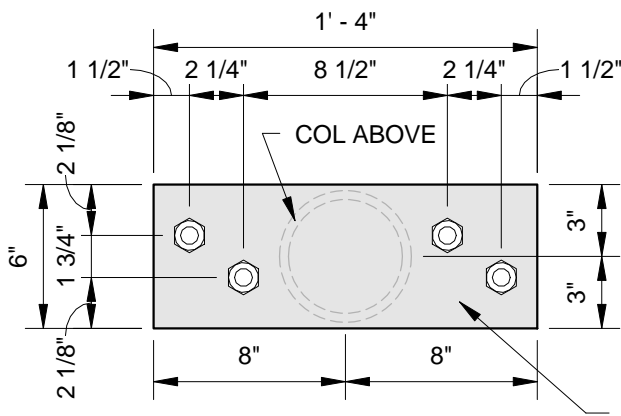
2 MAIN FLOOR DESIGN LOADS
S-1 1/32" = 1'-0"

DESIGN LOADS:

LIVE LOAD:	AS NOTED ABOVE
DEAD:	SELF WEIGHT
8" HOLLOWCORE:	2.6 kPa
CONC. TOPPING:	1.2 kPa
(MIN. 2.25" MAX. 2.75")	
CONCRETE SLAB:	3.5 kPa
HOUSEKEEPING PAD:	2.4 kPa



3 BPL-1 PLAN DETAIL
S-1 1 1/2" = 1'-0"



4 BPL-2 PLAN DETAIL
S-1 1 1/2" = 1'-0"

C.I.P. CONCRETE GRADE BEAM SCHEDULE		
MARK	TYPE	REMARKS
GB-1	10" x 2'-0" GRADE BEAM	R/W 3-25M TOP & BOTTOM W/ 10M STIRRUPS @ 12" O/C ON 6" VOIDFORM
GB-1A	8" x 2'-0" GRADE BEAM	R/W 2-25M TOP & BOTTOM W/ 10M STIRRUPS @ 12" O/C ON 6" VOIDFORM
GB-2	8" x 5'-0" GRADE BEAM	R/W 2-20M TOP & BOTTOM 2-15M MID. EACH FACE EQ. SPACED W/ 10M STIRRUPS @ 12" O/C ON 6" VOIDFORM
GB-2A	12" x 5'-0" GRADE BEAM	R/W 2-20M TOP & BOTTOM 2-15M MID. W/ 10M STIRRUPS @ 12" O/C ON 6" VOIDFORM
GB-3	12" x 3'-10" GRADE BEAM	R/W 2-25M TOP & BOTTOM 2-15M MID. W/ 10M STIRRUPS @ 12" O/C EXTEND & HOOK VERT. LEG INTO H/C UPSTAND ABOVE @ REQ'D LOCNS W/ CONT. 2-15M HORIZ. IN UPSTAND ON 6" VOIDFORM
GB-4	16" x 2'-0" GRADE BEAM	R/W 2-25M TOP & BOTTOM W/ 10M STIRRUPS @ 12" O/C ON 6" VOIDFORM
GB-5	10" x 2'-0" GRADE BEAM	R/W 2-25M TOP & BOTTOM W/ 10M STIRRUPS @ 12" O/C ON 6" VOIDFORM

- PROVIDE MATCHING VERT. DOWELS FROM WALLS ABOVE

C.I.P. CONCRETE PILECAP SCHEDULE		
MARK	TYPE	REMARKS
PC-1	24"Ø x 24" DP.	R/W 5-20M VERT. W/ 4-10M RINGS EQ. SPACED

C.I.P. CONCRETE BEAM SCHEDULE		
MARK	TYPE	REMARKS
CB-1	16" x 8" CONCRETE BEAM	R/W 2-20M TOP & BOTTOM W/ 10M STIRRUPS @ 10" O/C
CB-2	8" x 20" CONCRETE BEAM	R/W 2-20M TOP & BOTTOM W/ 10M STIRRUPS @ 10" O/C
CB-3	8" x 4'-3" CONCRETE BEAM	R/W 2-25M TOP & BOTTOM 3-15M MID. EACH FACE W/ 10M STIRRUPS @ 10" O/C
CB-4	8" x 30" CONCRETE BEAM	R/W 2-15M TOP & BOTTOM 2-15M MID. EACH FACE W/ 10M STIRRUPS @ 10" O/C

- PROVIDE MATCHING VERT. DOWELS FROM WALLS ABOVE

DROP PANEL SCHEDULE		
MARK	TYPE	REMARKS
DP-1	48"x48"x4" DP DROP PANEL	PROVIDE TM-1 AT ALL DP-1 LOCNS

TOP MAT SCHEDULE		
MARK	TYPE	REMARKS
TM-1	8-15M x 8'-0" LG. @ 8" O/C EACH WAY	

HOLLOWCORE SCHEDULE		
MARK	TYPE	REMARKS
8" H/C	8" PRE-STRESSED PRECAST HOLLOWCORE	

C.I.P. CONCRETE SLAB SCHEDULE		
MARK	TYPE	REMARKS
SL-1	6" STRUCTURAL CONCRETE SLAB	R/W 15M @ 12" O/C BOTTOM EACH WAY ON 6" VOIDFORM
SL-2	6" STRUCTURAL CONCRETE SLAB	R/W 15M @ 12" O/C BOTTOM EACH WAY ON 6" VOIDFORM
SL-3	7" STRUCTURAL CONCRETE SLAB	R/W 15M @ 12" O/C TOP & BOTTOM EACH WAY ON 6" VOIDFORM

THICKENED SLAB SCHEDULE		
MARK	TYPE	REMARKS
TSL-1	16" x 16" @ EDGE R/W 2-20M TOP & BOTTOM W/ 15M STIRRUPS MATCHING SLAB REINFORCING	
TSL-2	16" x 16" @ INT. R/W 2-20M TOP & BOTTOM W/ 15M U-BAR STIRRUPS MATCHING SLAB REINFORCING	
TSL-3	12" x 12" @ EDGE R/W 2-15M TOP & BOTTOM W/ STIRRUPS MATCHING SIDEWALK REINFORCING	

C.I.P. CONCRETE PILE SCHEDULE		
MARK	TYPE	REMARKS
P-1	16"Ø PILE	LENGTH VARIES, 46' AT INTERIOR, 45' AT PERIMETER U.N.O.

- ALL PILES TO BE P-1 U.N.O.
- PILE LENGTHS NOTED (XX) ON PLAN
- T.O. PILE ELEVATIONS NOTED [-X-XX'] ON PLAN

HELICAL SCREW PILE SCHEDULE		
MARK	TYPE	REMARKS
HP-1	W/ MIN. 3.5"Ø x MIN. 10'-0" STEEL HELICAL SCREW PILE W/ SINGLE HELIX MIN. 10K FACTORED LOADING CAPACITY & 8K SERVICE LOAD CAPACITY W/ MIN. 3/8" WALL THICKNESS OF GREATER AS REQ'D BY SUPPLIER	
HP-2	W/ MIN. 3.5"Ø x MIN. 10'-0" STEEL HELICAL SCREW PILE W/ SINGLE HELIX MIN. 12K FACTORED LOADING CAPACITY & 9K SERVICE LOAD CAPACITY W/ MIN. 3/8" WALL THICKNESS OF GREATER AS REQ'D BY SUPPLIER	



WOLFROM ENGINEERING LTD
CONSULTING ENGINEERS
345 WARDLAW AVENUE
WINNIPEG, CANADA R3L 0L5
(204) 452-0041 FAX: 294-8680
E-Mail: info@wolfromeng.com



WINDSOR PARK LIBRARY

FOUNDATION & MAIN FLOOR FRAMING PLAN

DRAWN BY	SCALE	DRAWING NO.
MANF	As indicated	S-1
FILE NO.	DATE	REVISION NO.
W15033	MARCH 28, 2016	