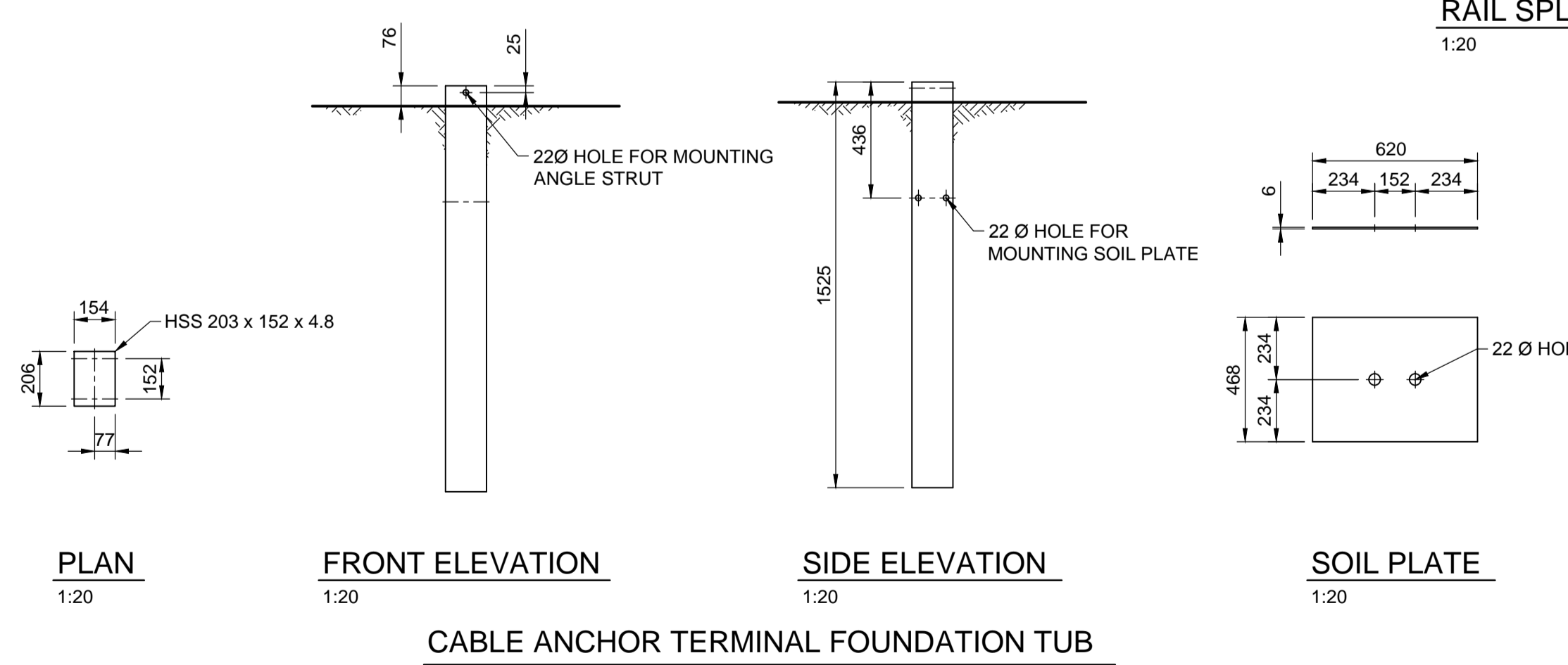
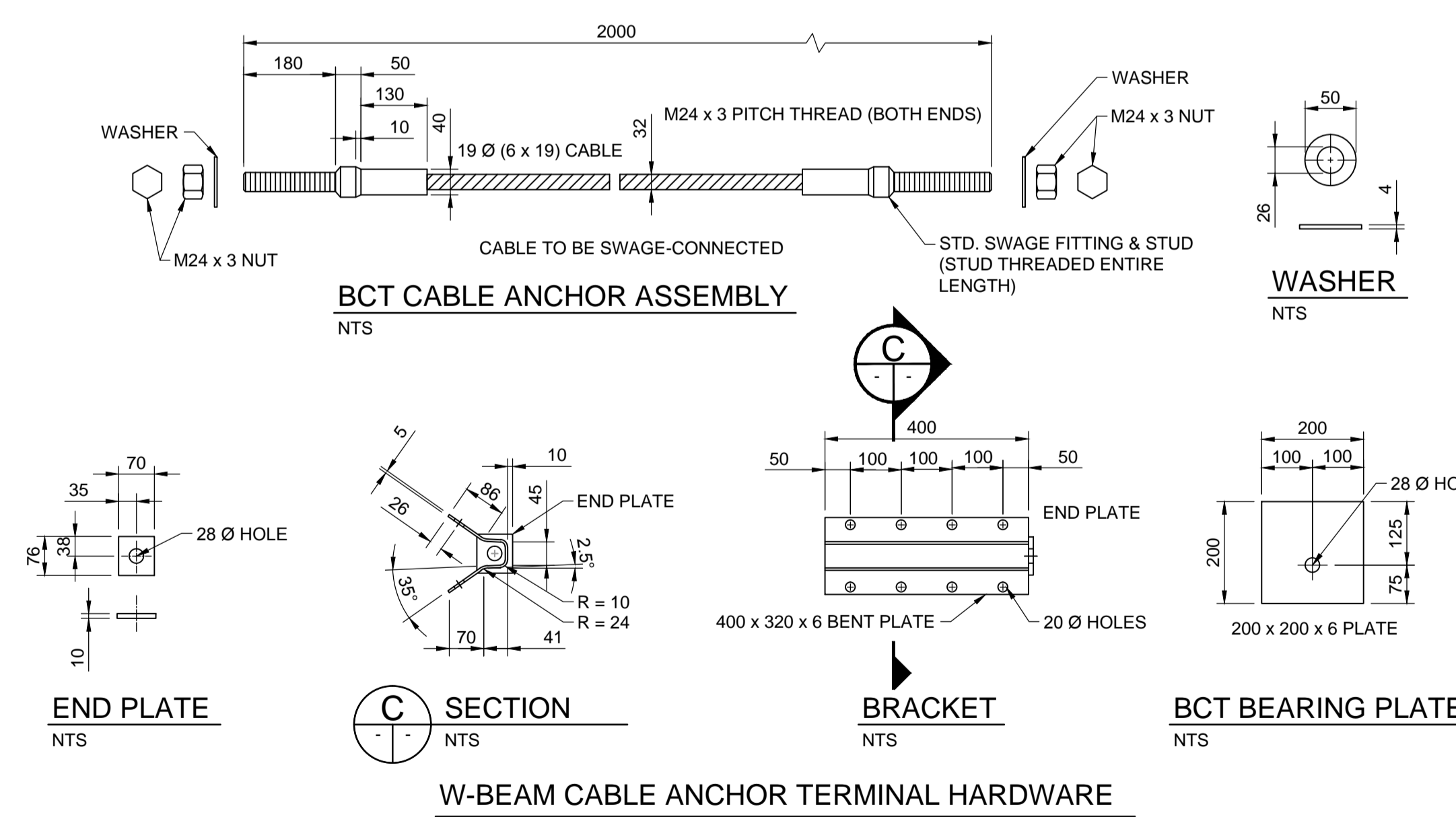
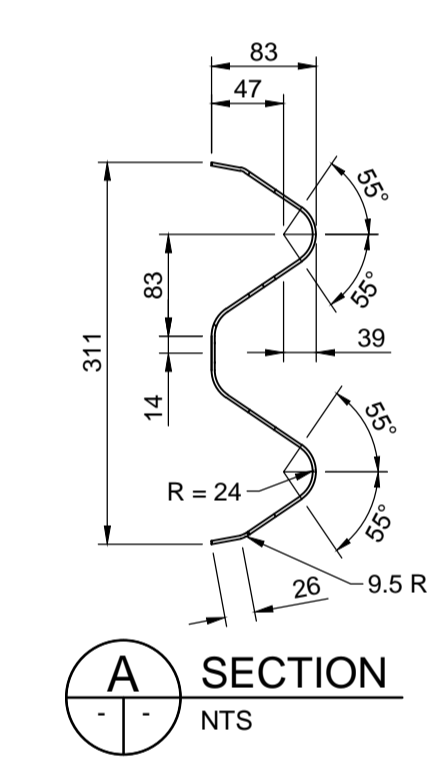
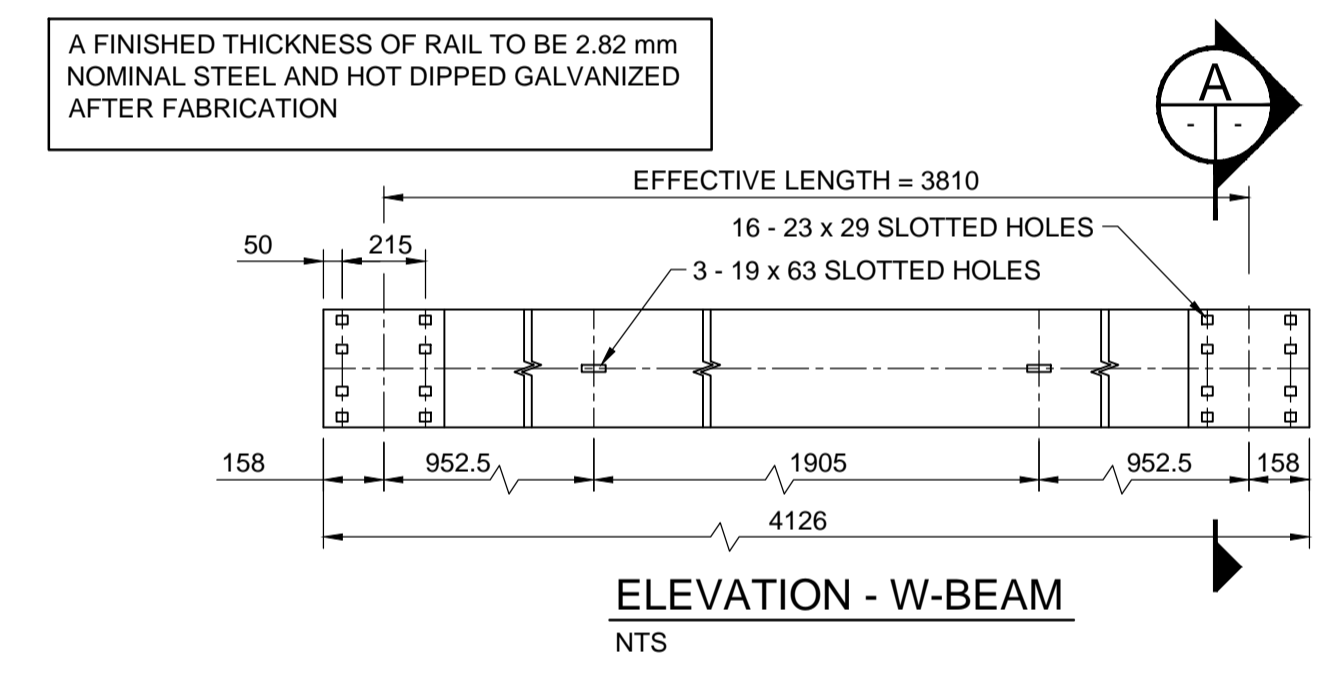


METRIC
WHOLE NUMBERS INDICATE MILLIMETRES
DECIMALIZED NUMBERS INDICATE METRES

WARNING
IF POWER EQUIPMENT OR EXPLOSIVES ARE TO BE USED FOR EXCAVATION ON THIS PROJECT THE CONTRACTOR MUST:
1. NOTIFY THE GAS COMPANY OF THE PROPOSED LOCATION OF EXCAVATION.
2. TAKE PRECAUTION TO AVOID DAMAGE TO GAS COMPANY INSTALLATIONS SEE PROVINCIAL REGULATION 210/72 FOR DETAILS.
3. OBTAIN EXCAVATION PERMITS PRIOR TO CONSTRUCTION.
4. A MINIMUM VERTICAL SEPARATION OF 300 mm FROM GAS MAINS AND 100 mm FROM GAS SERVICE MUST BE MAINTAINED BETWEEN ANY MANITOBA HYDRO FACILITY AND ANY NEW INSTALLATIONS.
5. A MINIMUM 900 mm OF COVER SHALL BE MAINTAINED IN ALL AREAS WHERE EQUIPMENT WILL BE CROSSING, TRAVELING OR COMPACTING OVER THE HIGH PRESSURE GAS MAINS.
6. IF EQUIPMENT MUST CROSS, TRAVEL, OR COMPACT OVER THE GAS MAIN WITH LESS THAN THE MINIMUM DEPTH COVER, EARTH BRIDGING OR STEEL PLATES SHALL BE PLACED OVER THE MAIN AND EXTEND A MINIMUM OF 1.0 METRE ON EITHER SIDE AT EACH CROSSING LOCATION.




G:\CAD\126606\Contract\Contract_2\Current\126606-CONTRACT_2-OHSS-107.dwg


150 W.M.	WATERMAIN	150 W.M.	M.T.S.	M.T.S.	150 mm W.M.	WATERMAIN	150 mm W.M.
⊕	HYDRANT VALVE	⊕			+	HYDRANT VALVE	+
⊗	LAND DRAINAGE SEWER	⊗			+	LAND DRAINAGE SEWER	+
300 LDS		300 LDS			300 mm L.D.S.		300 mm L.D.S.
250 WWS	WASTE WATER SEWER	250 WWS			250 mm W.W.S.	WASTE WATER SEWER	250 mm W.W.S.
○	MANHOLE	○			---	PROPERTY LINE	---
⊙	CATCH BASIN	⊙			---	SURVEY BAR	---
⊙	TEST HOLES	⊙			---	NORTH/WEST GUTTER	---
⊕	JUNCTIONS	⊕			---	SOUTH/EAST GUTTER	---
⊕	CULVERT	⊕			---	NORTH/WEST T/LANE	---
100 GAS	GAS	100 GAS			---	SOUTH/EAST T/LANE	---
EXISTING	LEGEND-PLAN	PROPOSED	EXISTING	LEGEND-PLAN	PROPOSED	EXISTING	LEGEND-PROFILE

UNDERGROUND STRUCTURES		DESIGNED BY		DESIGN TEAM		ENGINEER'S SEAL	
B.M.	654008 N: 5515764.610 E: 633359.697 ELEV. 232.463 m	654210 N: 5514436.957 E: 630550.534 ELEV. ---	DESIGNED BY	DESIGN TEAM	ENGINEER'S SEAL	N/A	
			DRAWN BY	DILLON CONSULTING			
			CHECKED BY				
			APPROVED BY				
			HOR. SCALE	AS NOTED	RELEASED FOR CONSTRUCTION		
			VERTICAL	AS NOTED	CONSULTANT PROJECT NUMBER	12-6606	
0	ISSUED FOR TENDER	13/08/08	MRD	2013/08/08		GUARDRAIL DETAILS AT 1+460 TO 1+515	
NO.	REVISIONS	DATE	BY	DATE		CITY DRAWING NUMBER B242-13-111 SHEET 111 OF 128 CONSULTANT DRAWING NUMBER P-3349-111	

SUPPLY, U/G STRUCTURES COMMITTEE		DATE	
NOTE: LOCATION OF UNDERGROUND STRUCTURES AS SHOWN ARE BASED ON THE BEST INFORMATION AVAILABLE, BUT NO GUARANTEE IS GIVEN THAT ALL EXISTING UTILITIES ARE SHOWN OR THAT THE GIVEN LOCATIONS ARE EXACT. CONFIRMATION OF EXISTENCE AND EXACT LOCATION OF ALL SERVICES MUST BE OBTAINED FROM THE INDIVIDUAL UTILITIES BEFORE PROCEEDING WITH CONSTRUCTION.			



Certificate of Authorization
Dillon Consulting Limited (MB)
No. 1789 Date: 2013/08/08



THE CITY OF WINNIPEG
PUBLIC WORKS DEPARTMENT

WAVERLEY WEST ARTERIAL ROADS PROJECT
(WWARP) PART 3 - CONTRACT 2
ROUTE 90 TO ROUTE 165 OVERPASS (KENASTON BLVD.)
AND ASSOCIATED WORKS