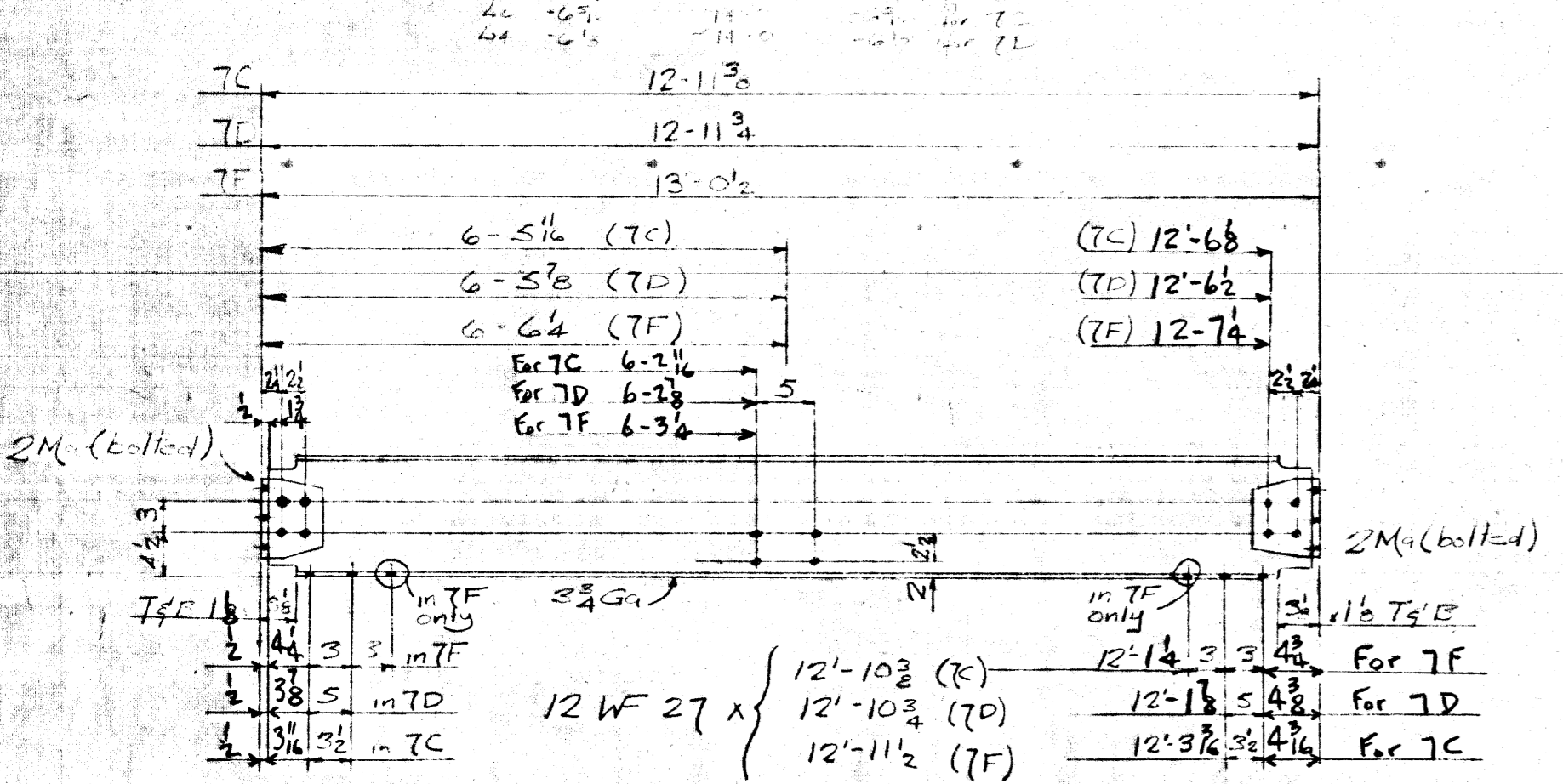
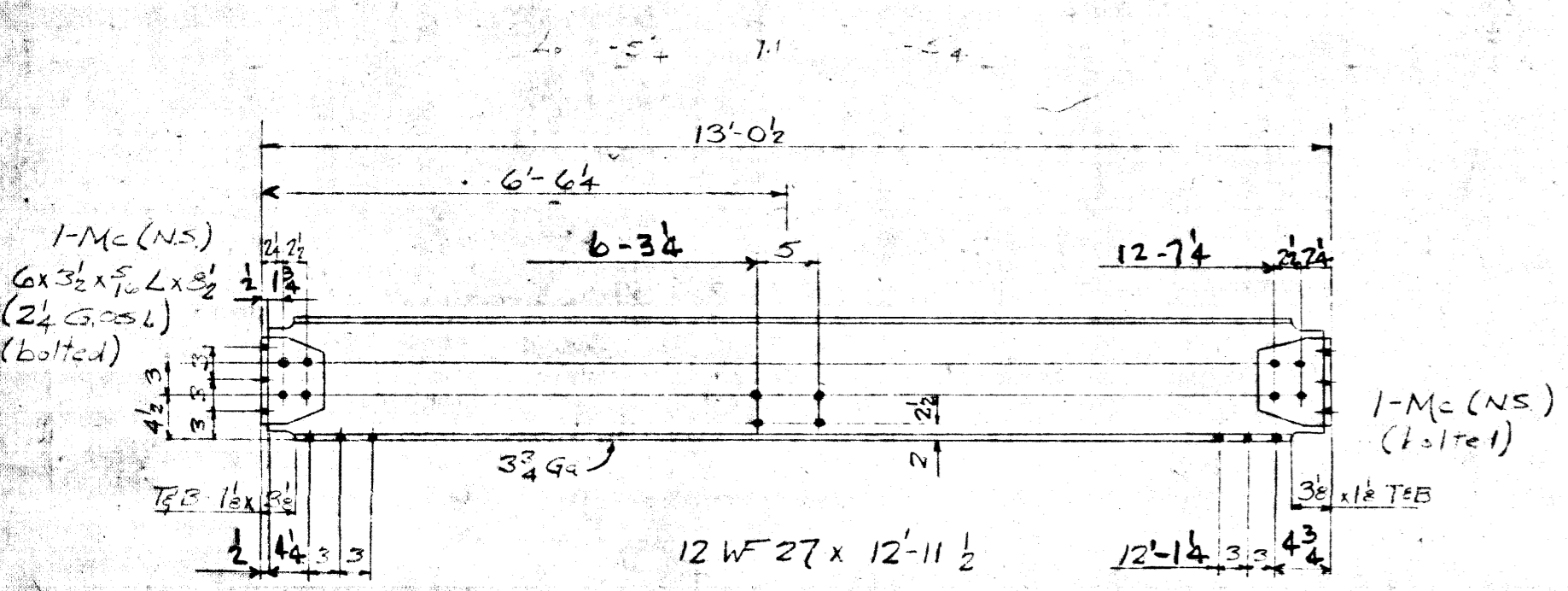


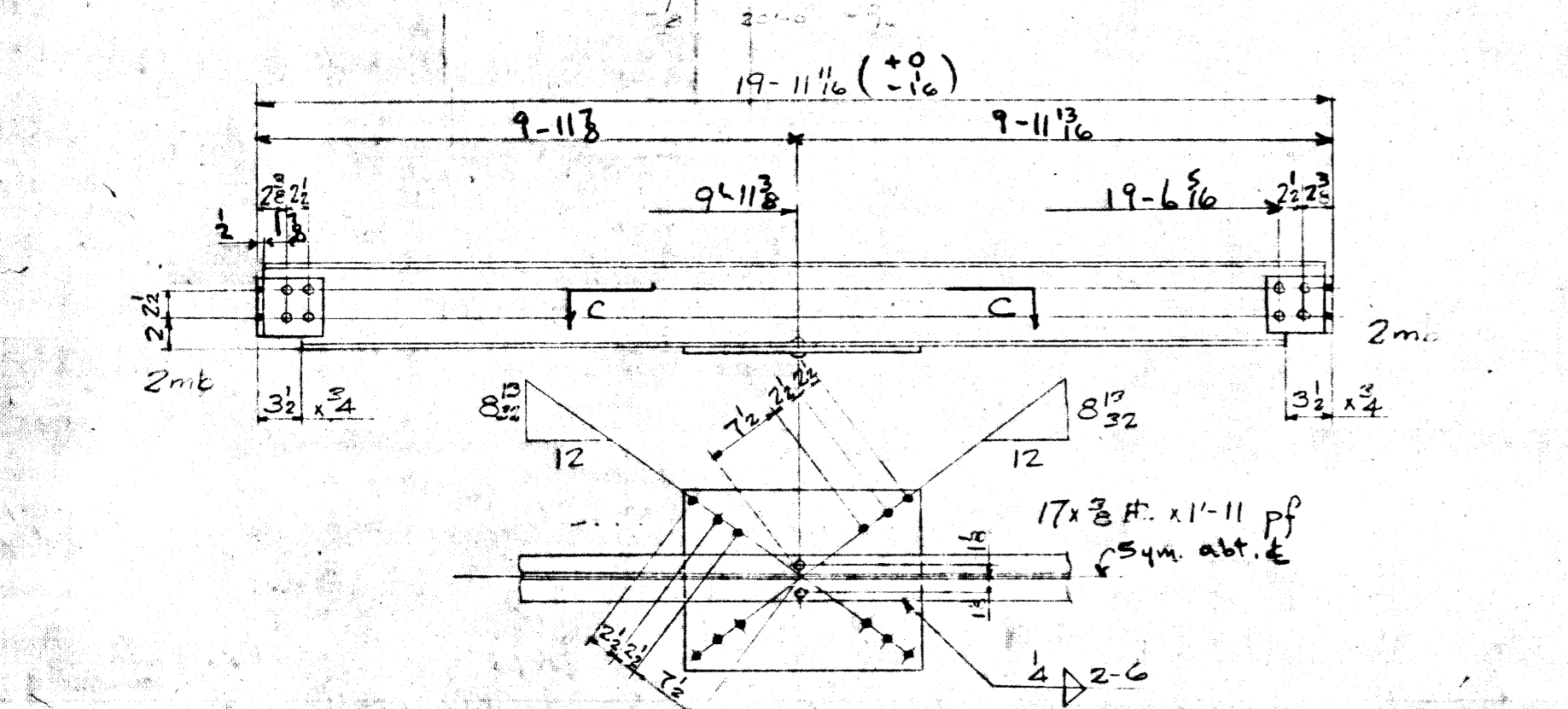
2 - FLOOR BEAMS - 7A  
2 - FLOOR BEAMS - 7B



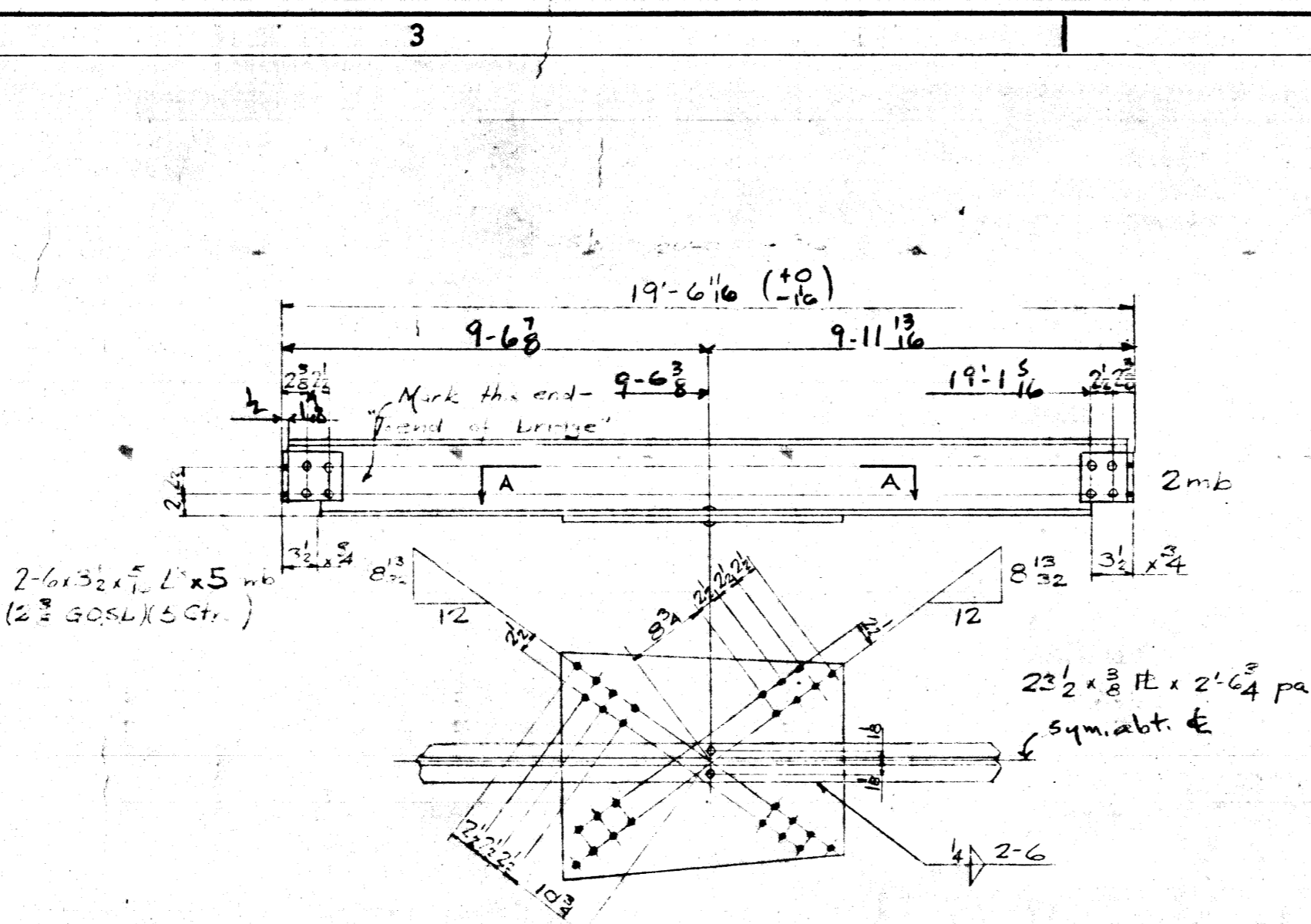
2 - FLOOR BEAMS - 7C  
4 - DO - 7D  
2 - DO - 7F



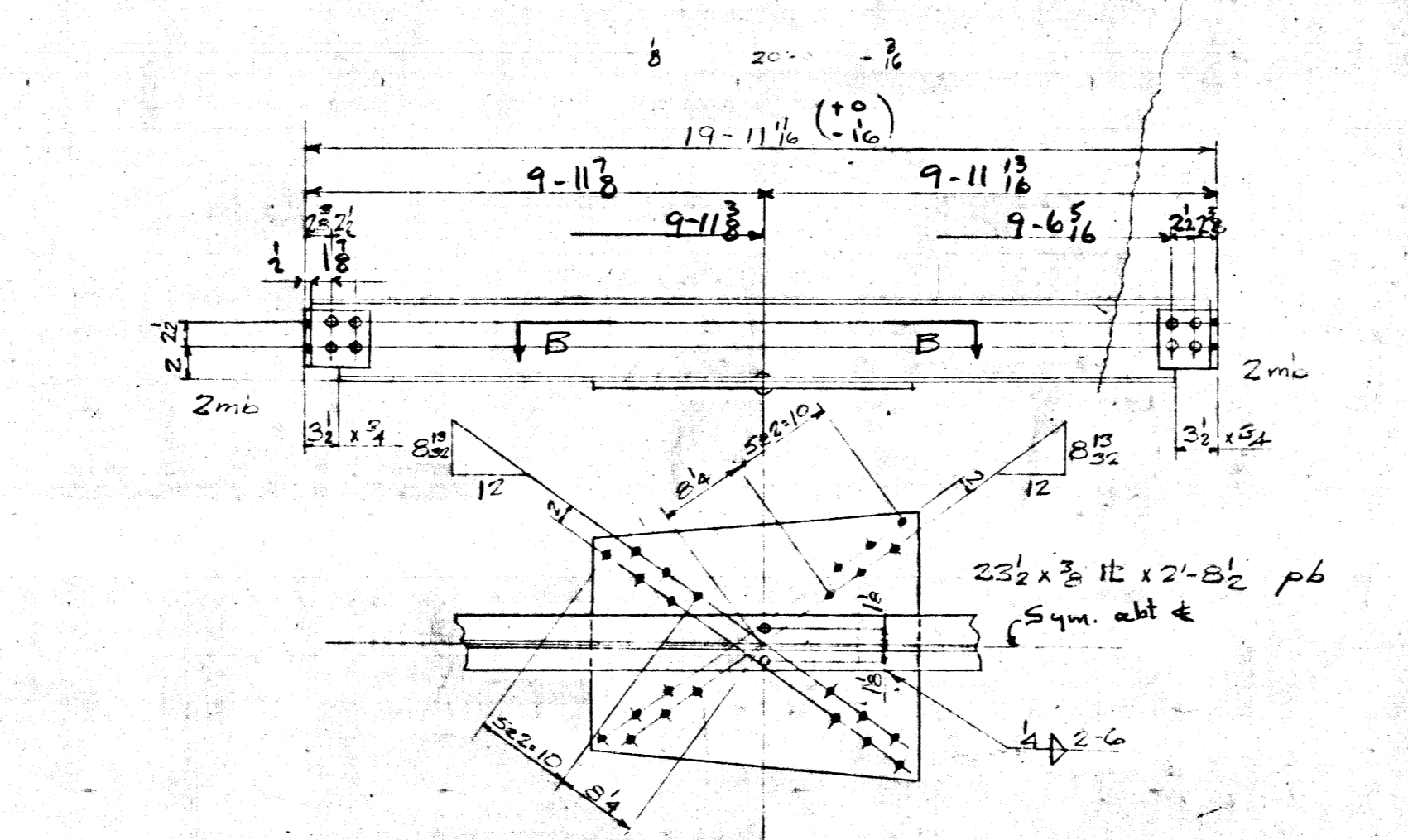
2 - FLOOR BEAMS - 7G



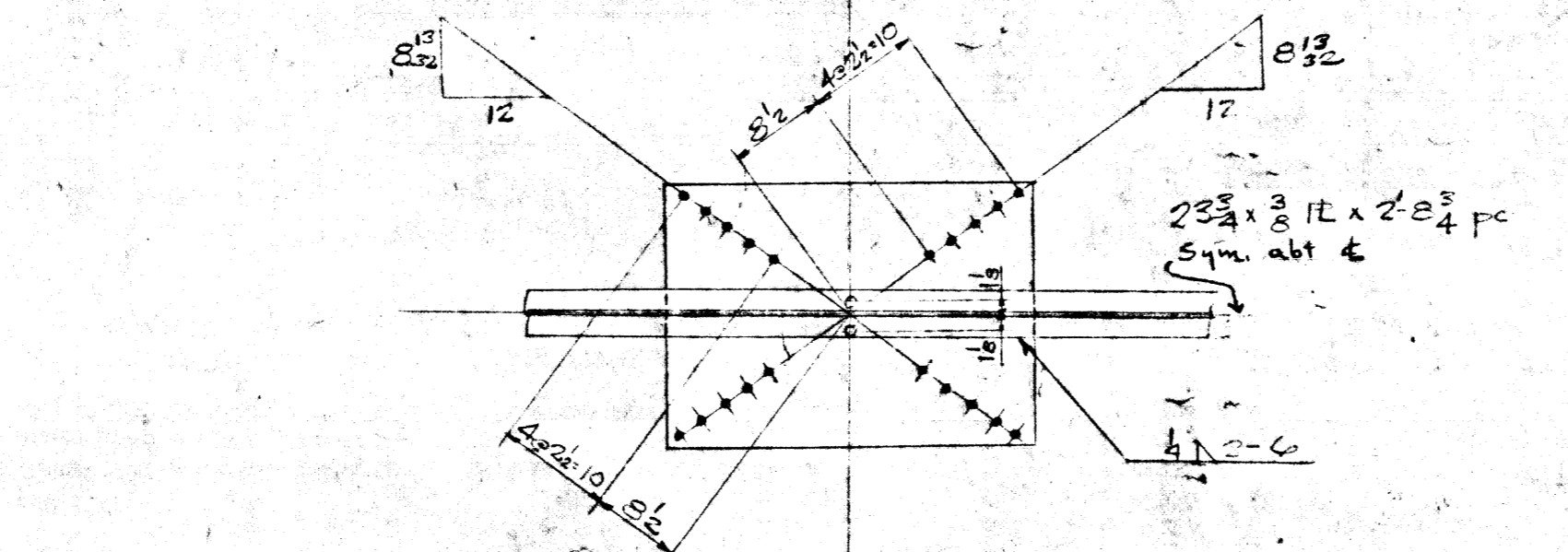
SECTION C-C  
8 I e 18.4 x 19-10 3/4  
4 - STRINGERS - 7V



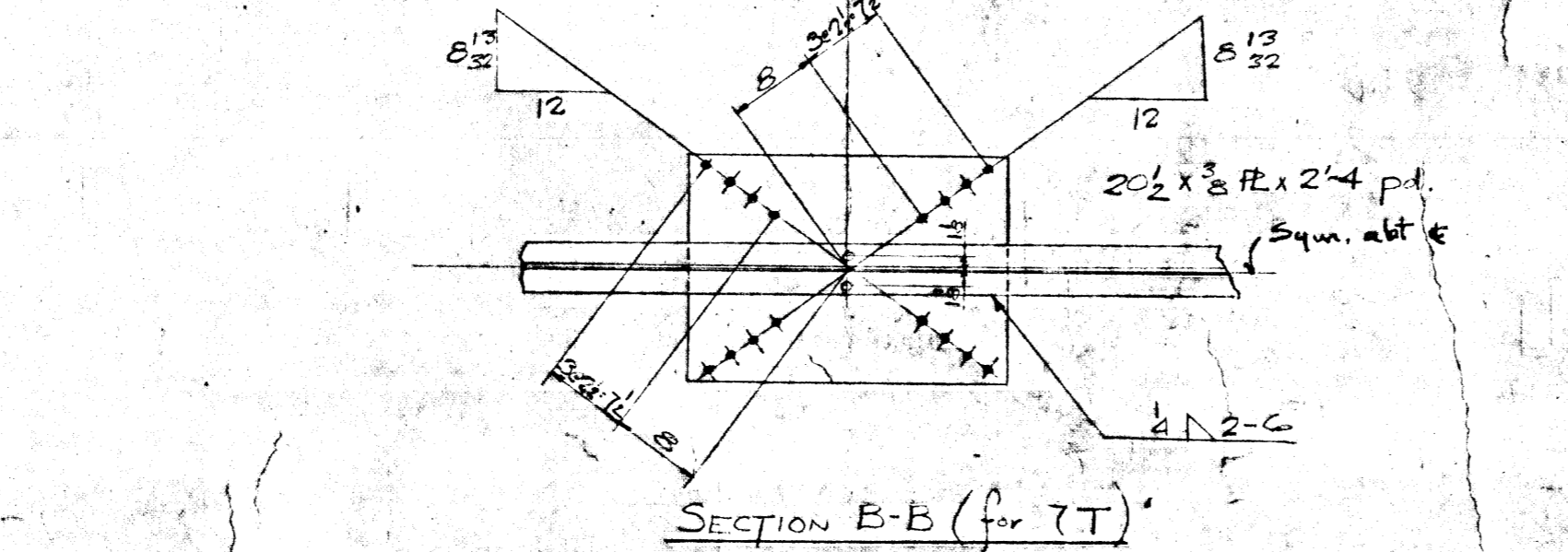
SECTION A-A  
8 x 4 x 1/4 I e 18.4 x 19-5 5/8  
2 - STRINGERS - 7H



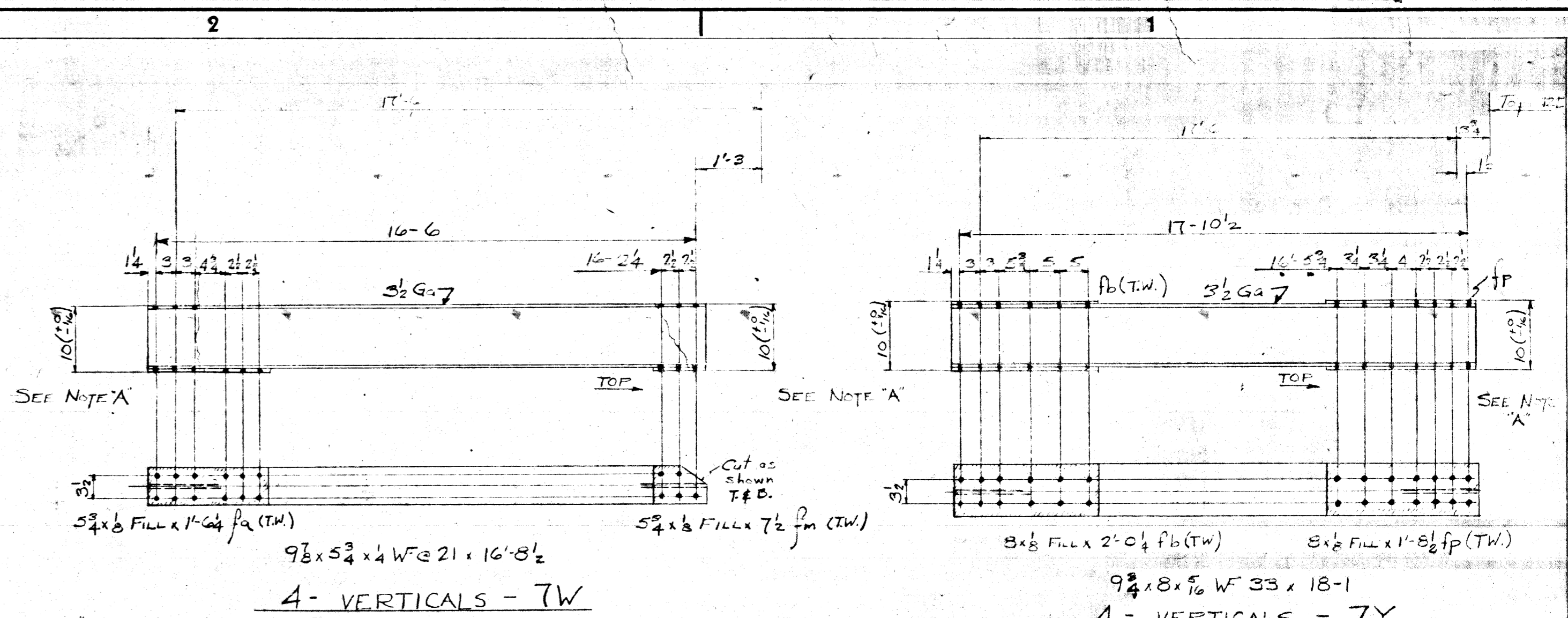
SECTION B-B (for 7P)



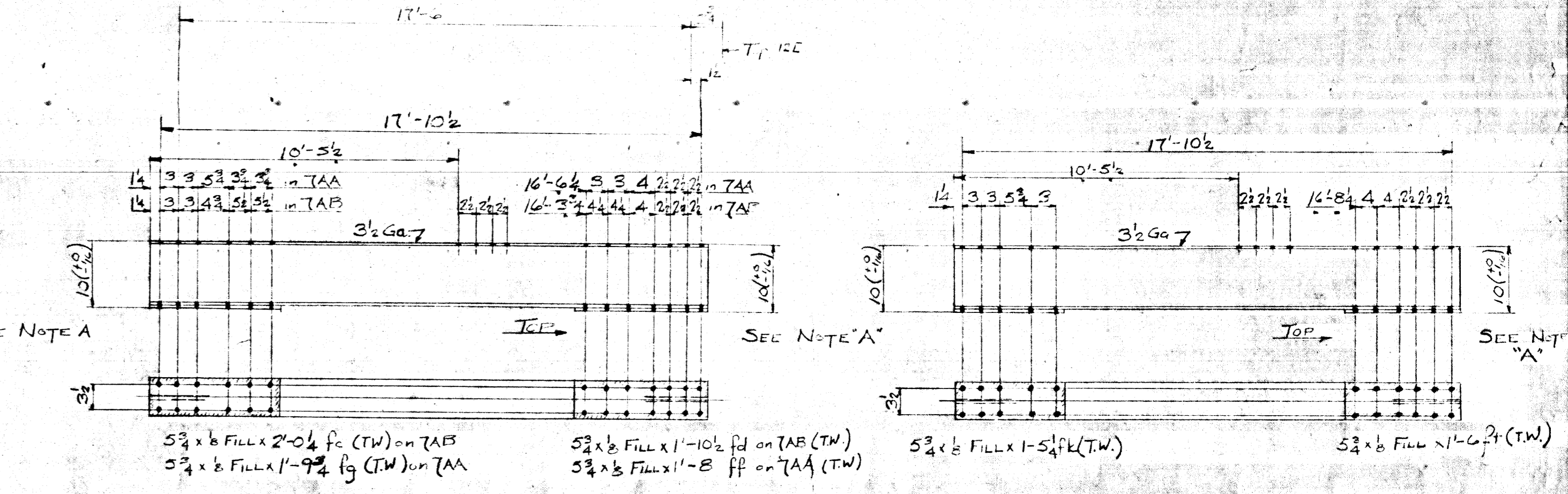
SECTION B-B (for 7S)



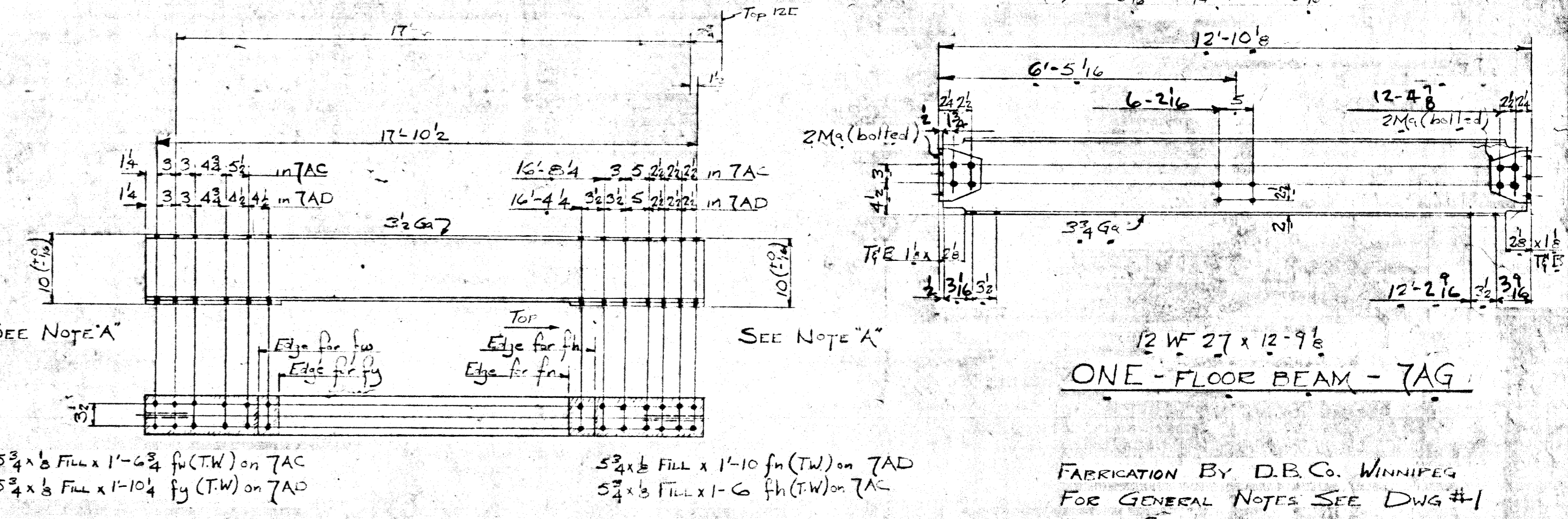
SECTION B-B (for 7T)  
8 I e 18.4 x 19-10 3/4  
2 - STRINGERS - 7P  
2 - DO - 7S  
4 - DO - 7T



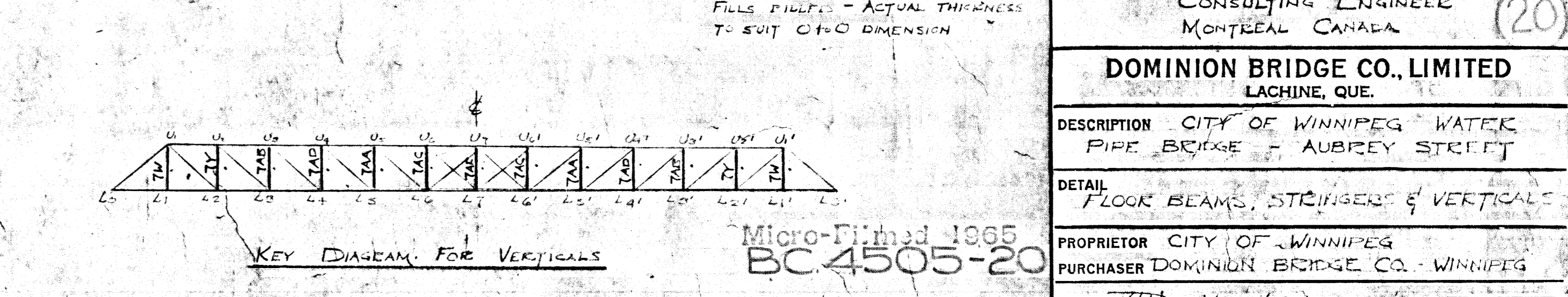
4 - VERTICALS - 7W



4 - VERTICALS - 7AA  
4 - DO - 7AB



4 - VERTICALS - 7AC  
4 - DO - 7AD



NOTE A  
FLANGES MUST BE PARALLEL AND SQUARE WITH WEB FOR LENGTH OF CONNECTION. NOMINAL THICKNESS OF FILLS FILLED - ACTUAL THICKNESS TO SUIT O.T.O. DIMENSION

FABRICATION BY D.B.C. WINNIPEG  
FOR GENERAL NOTES SEE DWG #1  
RIVETS 3/4  
OPEN HOLES 1/8

P.L. PRATLEY D. Eng. M.I.C.E. MASCE  
CONSULTING ENGINEER  
MONTREAL CANADA (20)

**DOMINION BRIDGE CO., LIMITED**  
LACHINE, QUE.

DESCRIPTION CITY OF WINNIPEG WATER PIPE BRIDGE - AUBREY STREET  
DETAIL FLOOR BEAMS, STRINGERS & VERTICALS

PROPRIETOR CITY OF WINNIPEG  
PURCHASER DOMINION BRIDGE CO. - WINNIPEG

DRAWN J.H. M.L.S. 1/58  
CHECKED E. DESJARDINS M.L.S. 1/58  
APPROVED  
SCALE = 1 FOOT VAULT NO.  
DEPT. GAVIN CONT. W6217

SHIPPING BILL  
MATERIAL BILL  
Micro-Film 1965 BC.4505-20  
7  
LACHINE CONT 1-8696  
Squad Jackson