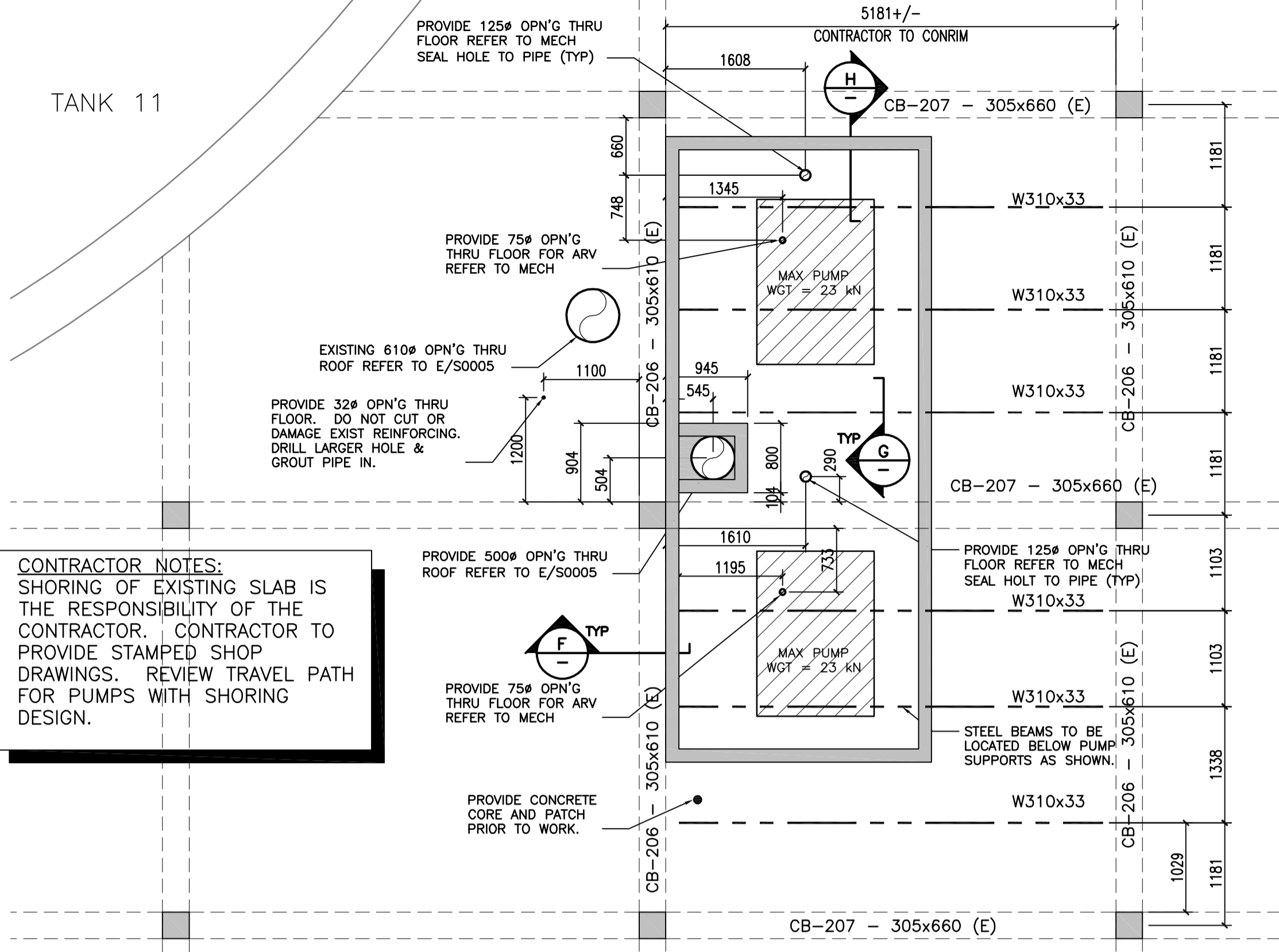
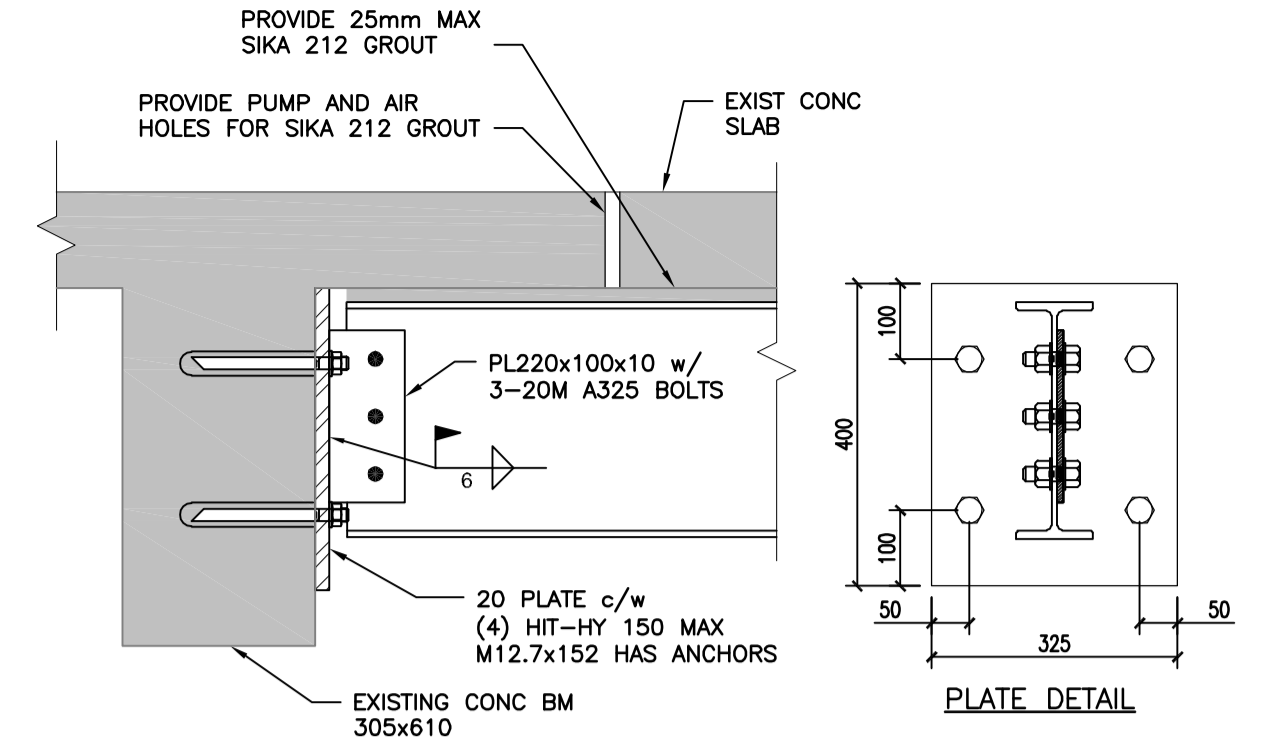
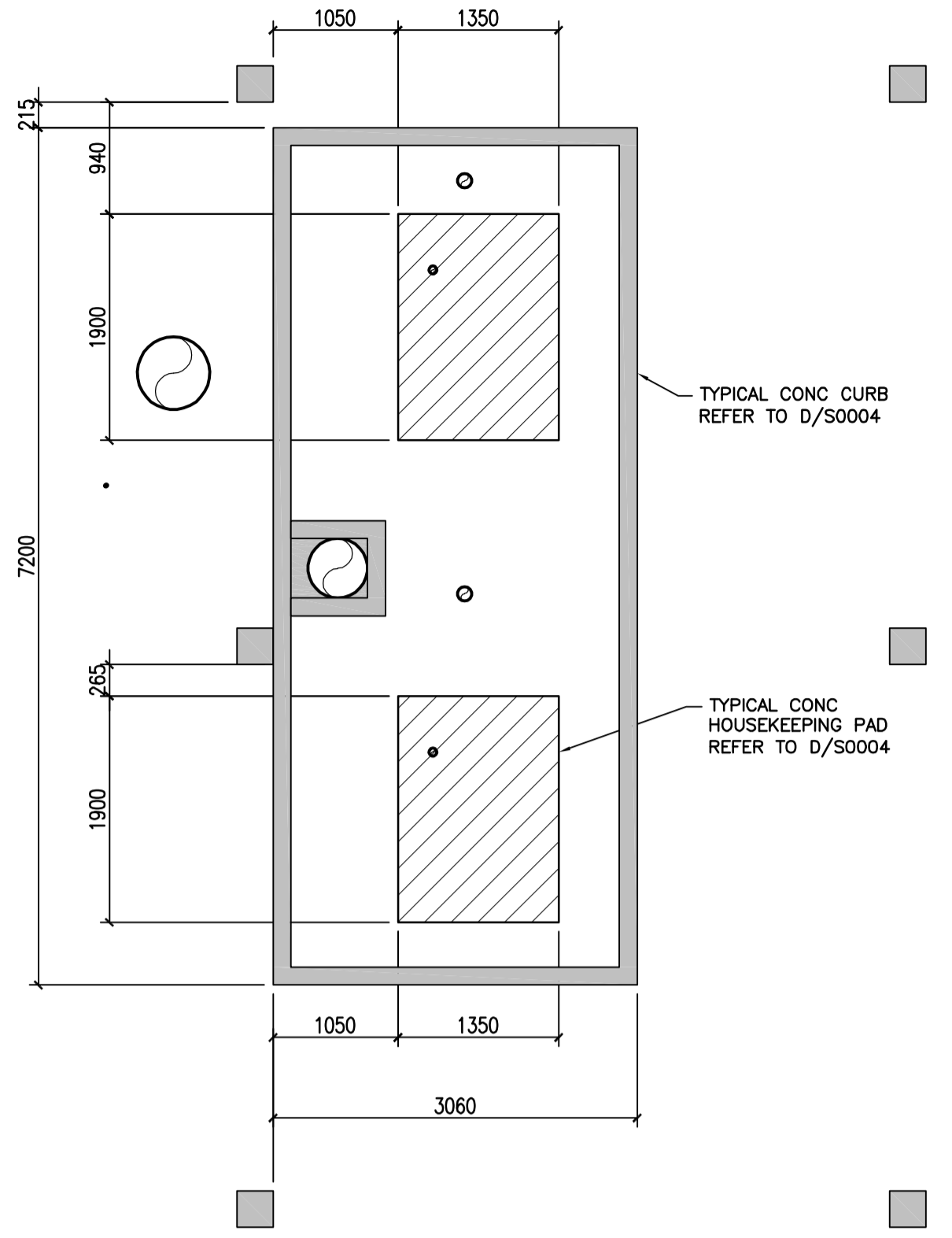


TANK 11

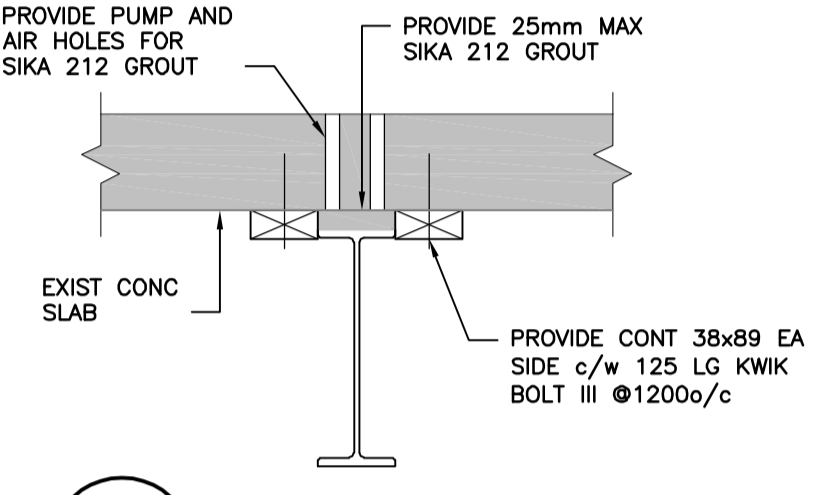
TANK 11



CONTRACTOR NOTES:
SHORING OF EXISTING SLAB IS THE RESPONSIBILITY OF THE CONTRACTOR. CONTRACTOR TO PROVIDE STAMPED SHOP DRAWINGS. REVIEW TRAVEL PATH FOR PUMPS WITH SHORING DESIGN.



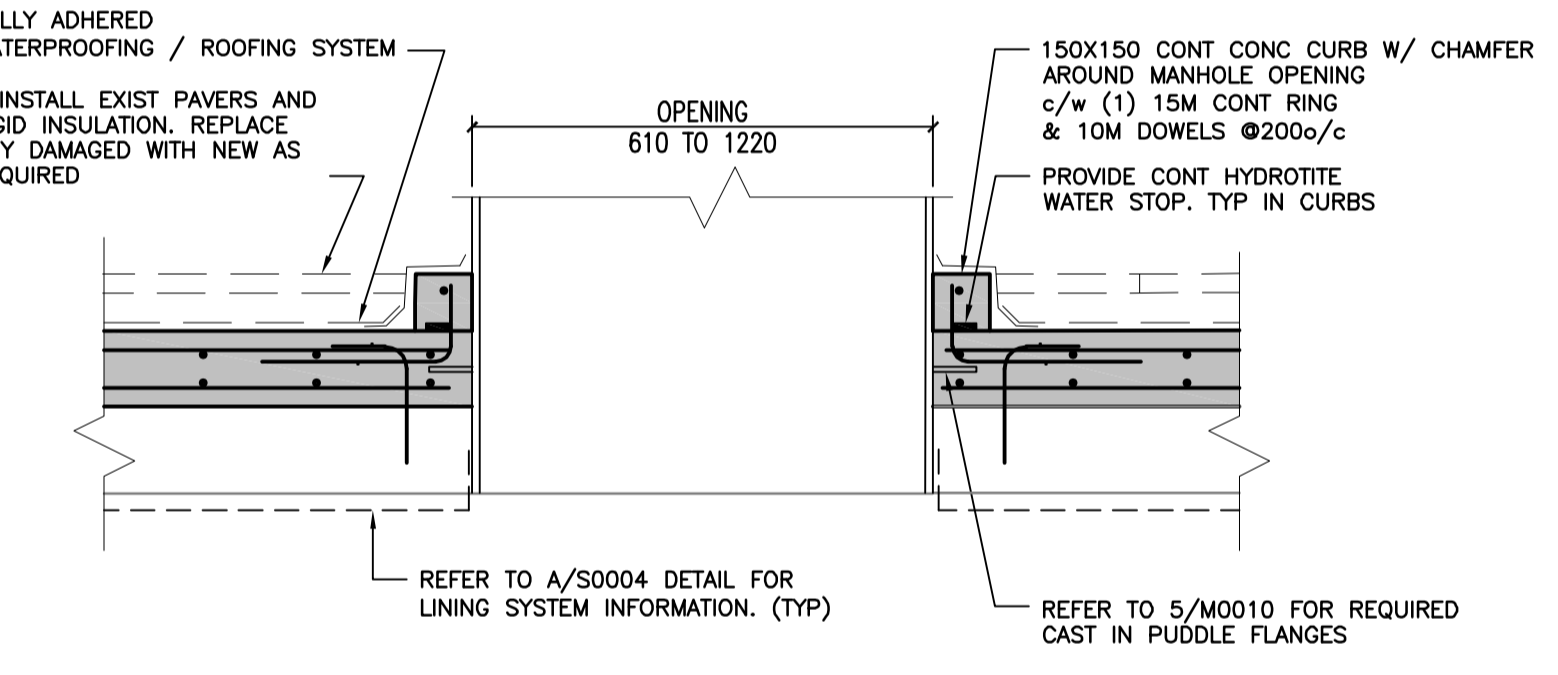
F STEEL BEAM SUPPORT
1:10



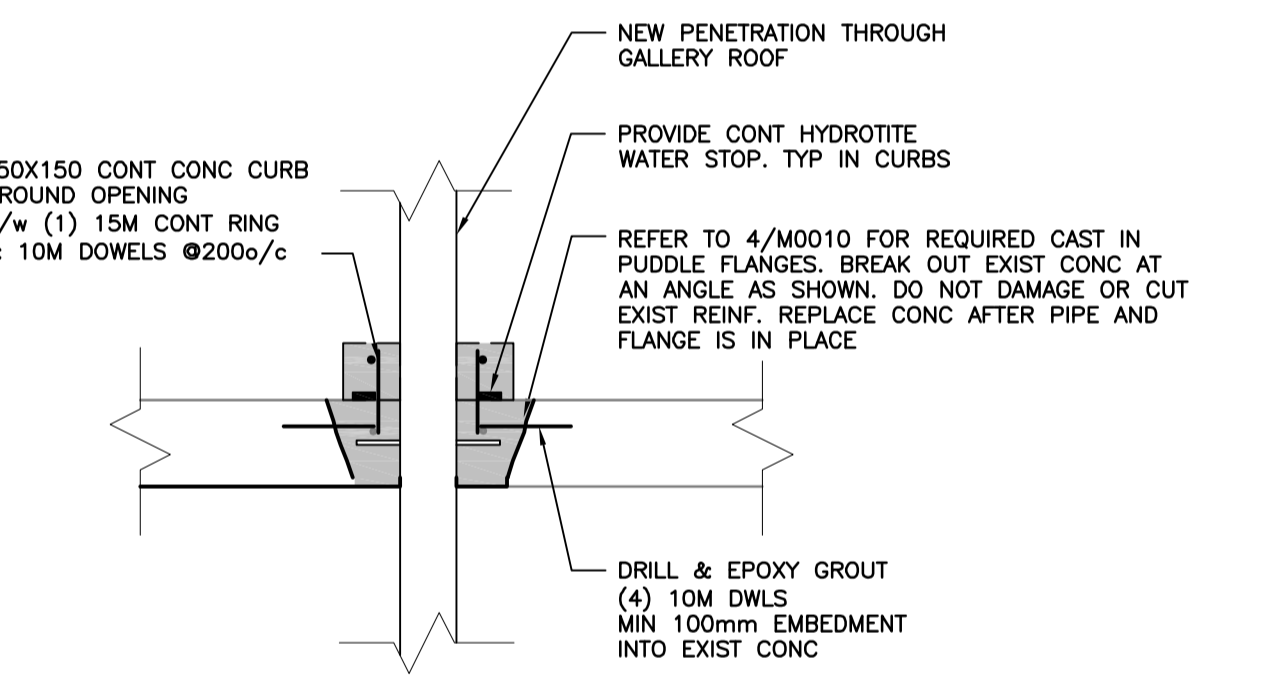
G STEEL BEAM SUPPORT
1:10

1 DIGESTION GALLERY NO.5 FLOOR SUPPORT
1:50

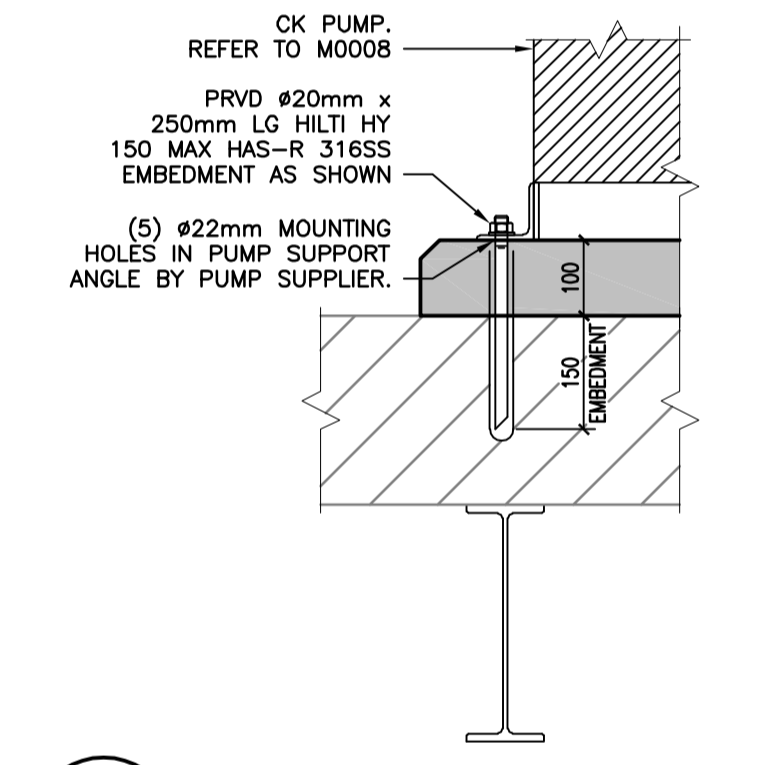
2 DIGESTION GALLERY NO.5 CONC HOUSEKEEPING PAD & CURB LAYOUT
1:50



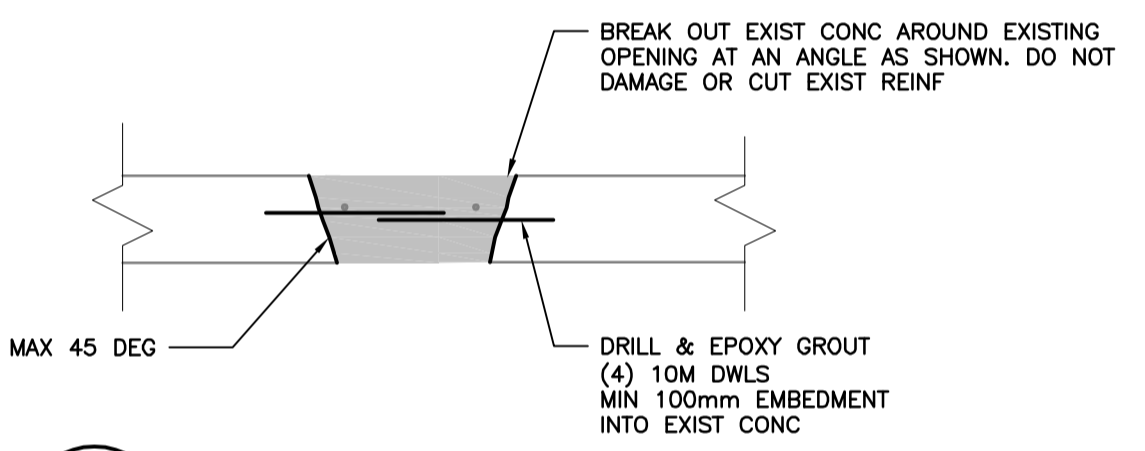
A TYP LARGE PENETRATION THROUGH ROOF DETAIL
1:20



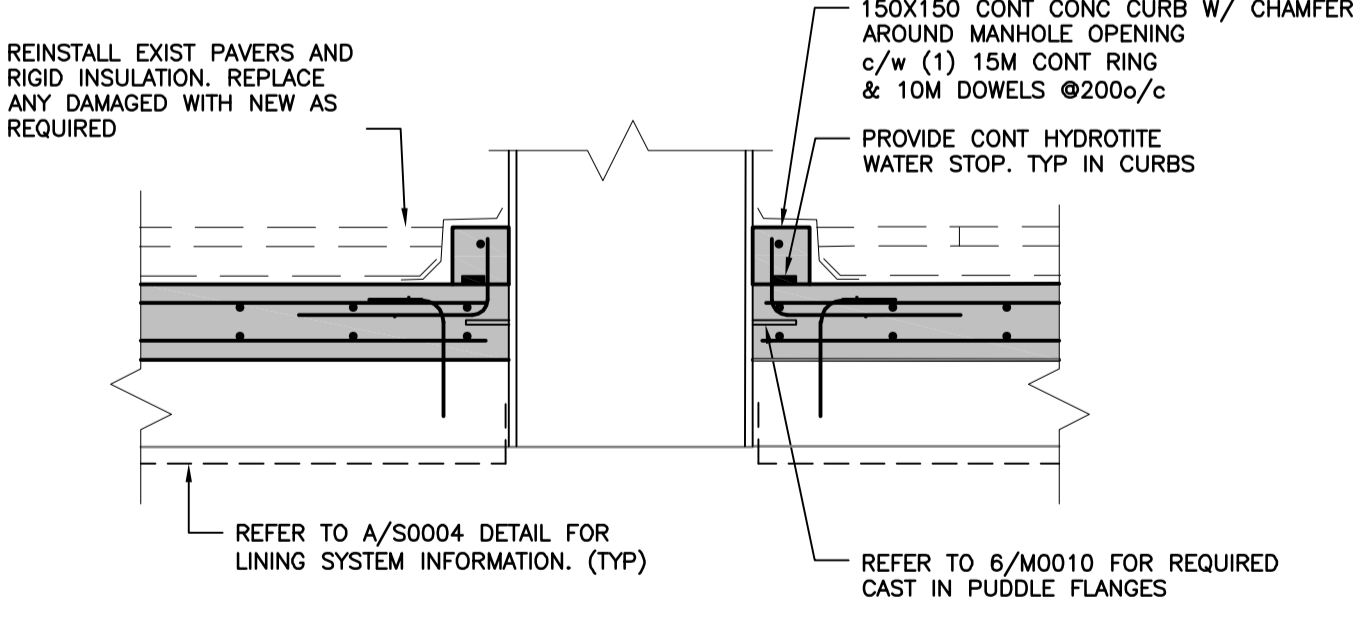
C TYP AIR VENT PENETRATION THROUGH ROOF DETAIL
1:20



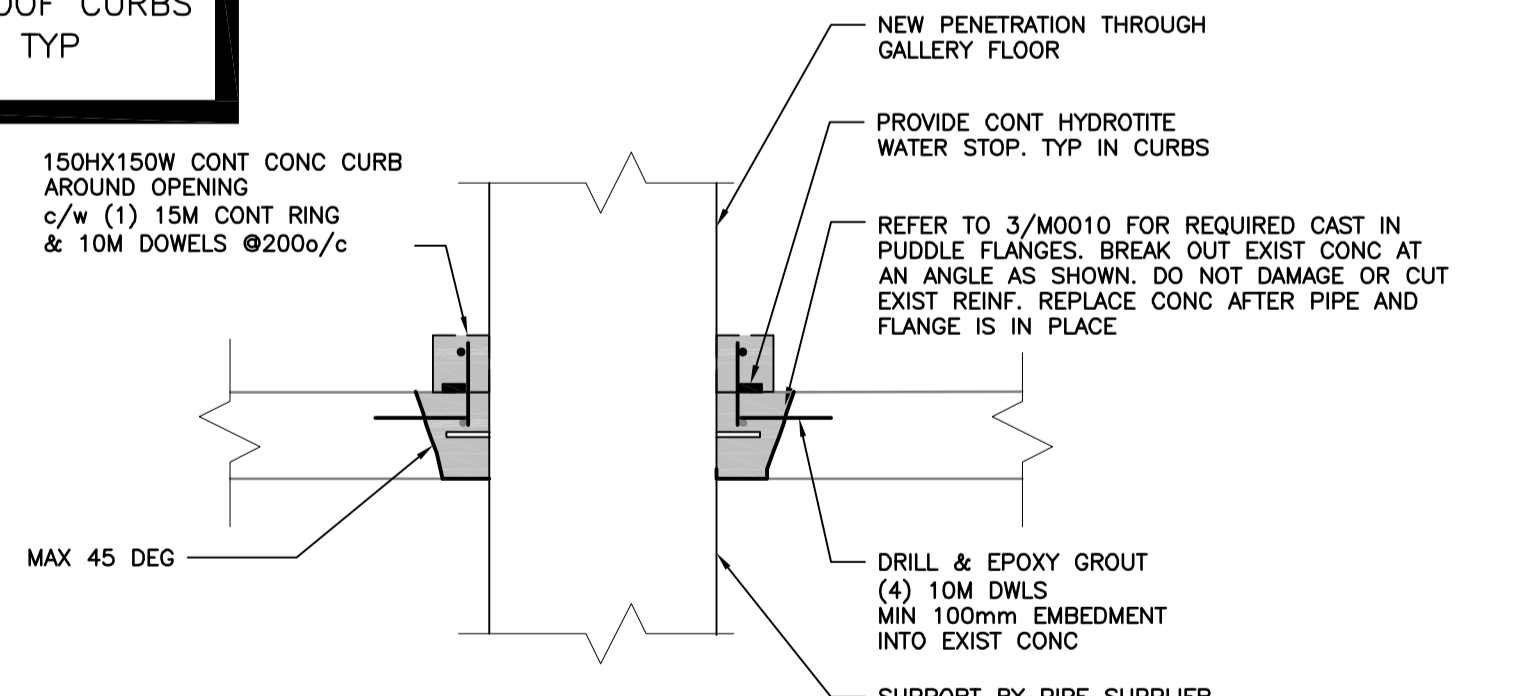
J TYP PUMP CONN DETAIL
1:10



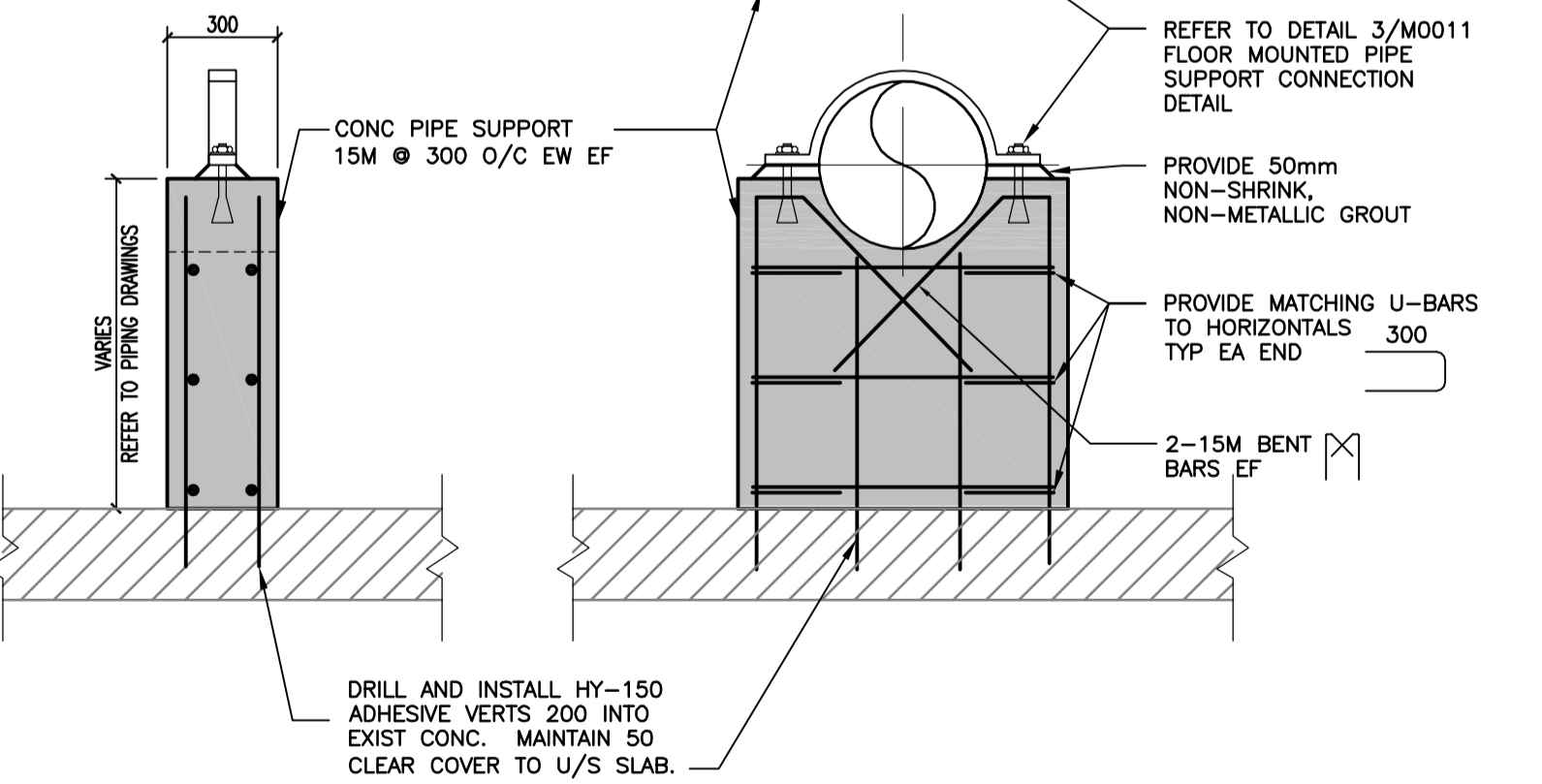
H TYPICAL HOLE PATCH DETAIL
1:20



B TYP EMERGENCY RELEASE PENETRATION THROUGH ROOF DETAIL
1:20



E TYP PENETRATION THROUGH GALLERY FLOOR
1:20



D TYP PIPE SUPPORT DETAIL - LOCATION VARIES
1:20

NOTE:
PROVIDE PREFINISHED METAL FLASHING AROUND ROOF CURBS (TO MATCH EXISTING) TYP

V:\1117\weld\11171202_MSR\CC_Digestion\Gallery No. 5\design\sheet_001.dwg
 2012 October 10, 11:51 AM

APEGM
Certificate of Authorization
Stantec Consulting Ltd.
No. 1301

LOCATION APPROVED UNDERGROUND STRUCTURES			
SUPV. U/G STRUCTURES COMMITTEE	DATE		
NOTE: LOCATION OF UNDERGROUND STRUCTURES AS SHOWN ARE BASED ON THE BEST INFORMATION AVAILABLE BUT NO GUARANTEE IS GIVEN THAT ALL EXISTING UTILITIES ARE SHOWN OR THAT THE GIVEN LOCATIONS ARE EXACT. CONFIRMATION OF EXISTENCE AND EXACT LOCATION OF ALL SERVICES MUST BE OBTAINED FROM THE INDIVIDUAL UTILITIES BEFORE PROCEEDING WITH CONSTRUCTION.			
3	ISSUED FOR TENDER	12.11.01	S.K.B
2	ISSUED FOR 95% REVIEW	12.09.12	S.K.B
1	ISSUED FOR 60% REVIEW	12.07.27	S.K.B
NO.	REVISIONS	DATE	BY

B.M. ELEV.			
DESIGNED BY	O.A.	CHECKED BY	BF
DRAWN BY	M.F.	APPROVED BY	S.K.B.
HOR. SCALE:	AS SHOWN	RELEASED FOR CONSTRUCTION:	
VERTICAL:		DATE	2012.09.06

Stantec Consulting Ltd.
905 Waverley Street, Winnipeg, Manitoba
Tel 204-489-5900 Fax 204-453-9012

ENGINEER'S SEAL
ORIGINAL SEALED BY B.E. FRASER P. ENG. 12.11.01

BID OPPORTUNITY NO. 573-2012

THE CITY OF WINNIPEG WATER AND WASTE DEPARTMENT

Winnipeg

NORTH END WATER POLLUTION CONTROL CENTRE REHABILITATION OF DIGESTER No. II AND SLUDGE TANK No. 5 AND 7

DIGESTER No. II - PLANS & SECTIONS

CITY DRAWING NUMBER	1-O10ID-S0005-001	SHEET	7	OF	29
---------------------	-------------------	-------	---	----	----