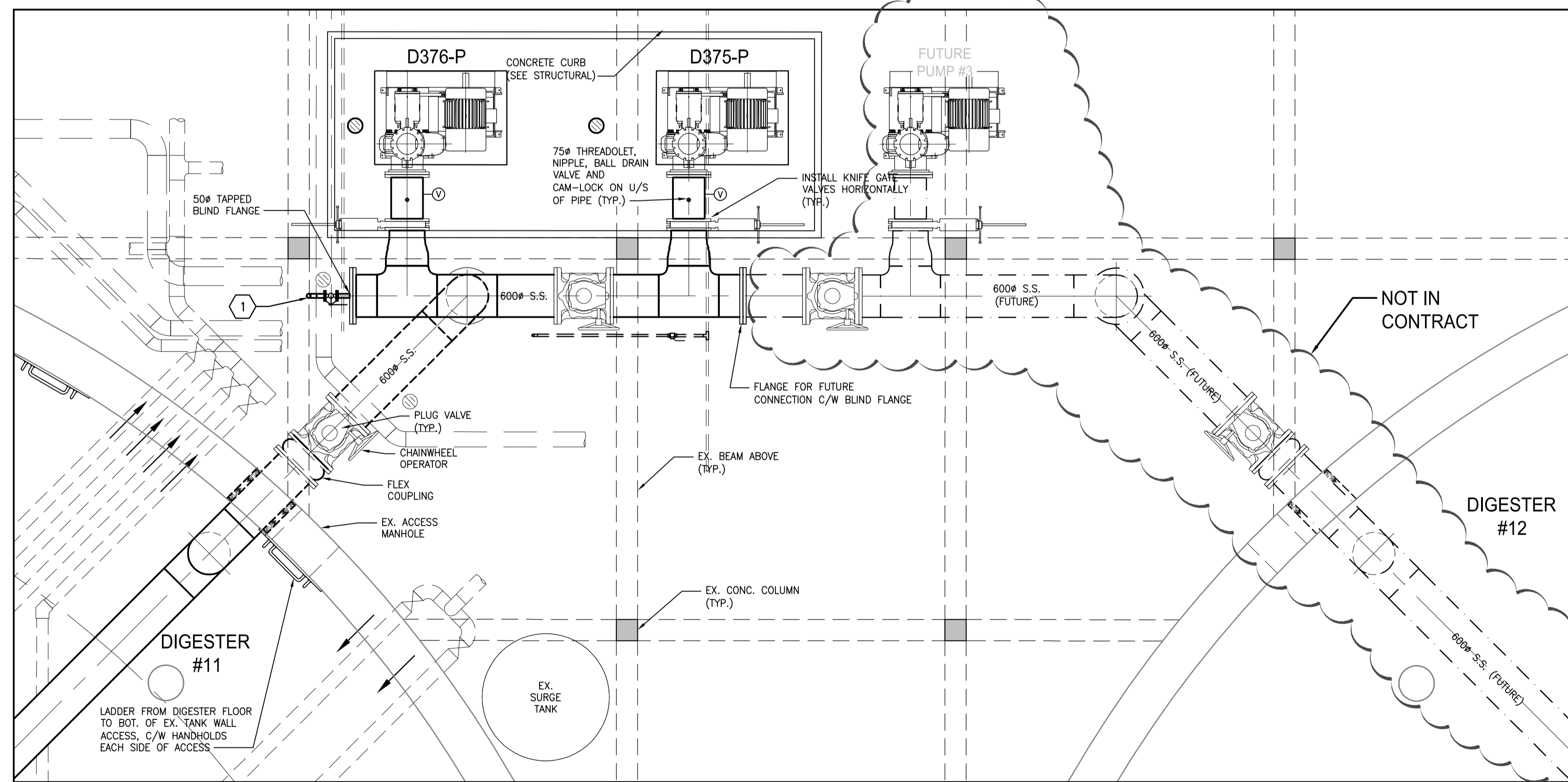


1 DISCHARGE LINE PLAN
1:50



2 SUCTION LINE PLAN
1:50

- 1 CONNECT 50# S.S. FLUSHING WATER LINE AND CHECK VALVE TO EXISTING 50# COPPER FLUSHING WATER SYSTEM BELOW FLOOR. INSTALL 50x50x50 TEE ON EXISTING LINE AND DIELECTRIC ISOLATOR TO CONNECT TO PROPOSED FLUSHING WATER CONNECTIONS.
- 2 REFER TO 1-0101D-A0082-001 FOR PRESSURE TRANSMITTER / FLUSHING WATER LINE INSTALLATION

APEGM
Certificate of Authorization
Stantec Consulting Ltd.
No. 1301

METRIC
WHOLE NUMBERS INDICATE MILLIMETRES
DECIMALIZED NUMBERS INDICATE METRES

B.M. ELEV.			
3. ISSUED FOR TENDER	12.11.01	S.K.B.	
2. ISSUED FOR 95% REVIEW	12.09.12	S.K.B.	
1. ISSUED FOR 60% REVIEW	12.07.27	S.K.B.	
NO. REVISIONS	DATE	BY	DATE
	2011.07.17		

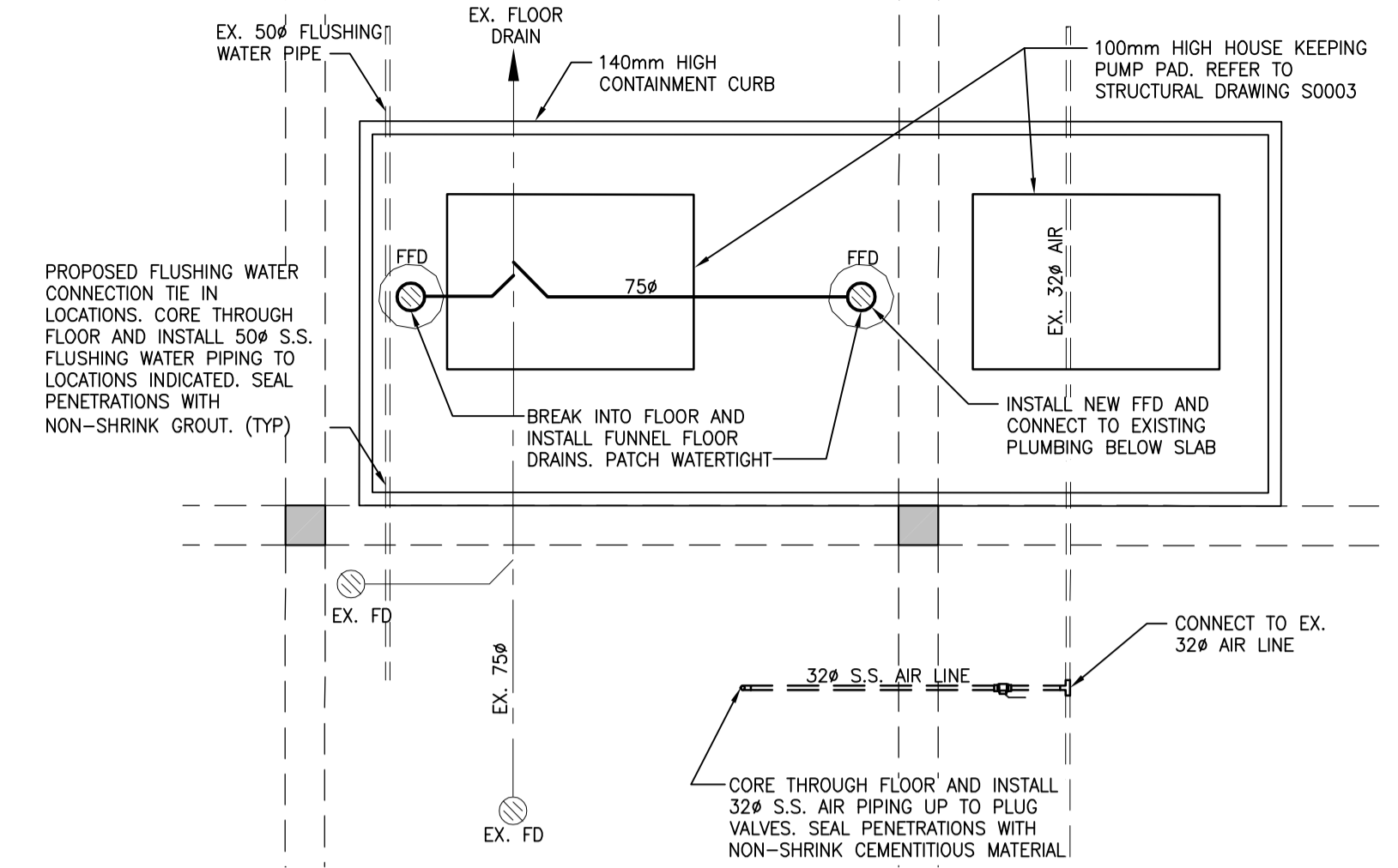
Stantec Consulting Ltd.
905 Waverley Street, Winnipeg, Manitoba
Tel 204-489-5900 Fax 204-453-9012

DESIGNED BY	S.A.B./R.G.	CHECKED BY	A.B./S.K.B.
DRAWN BY	K.R.	APPROVED BY	S.K.B.
HOR. SCALE:	1:50	RELEASED FOR CONSTRUCTION:	
VERTICAL:		DATE	

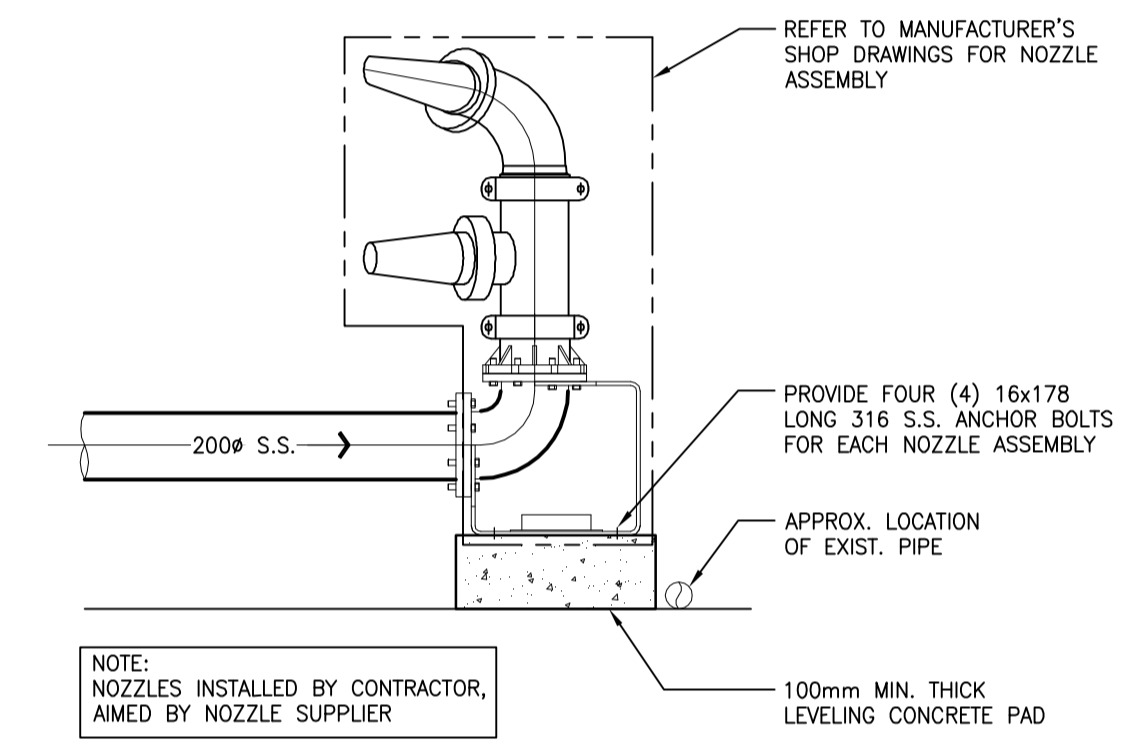
ENGINEER'S SEAL
ORIGINAL SEALED BY
S.A. BEZAK
P. ENG.
12/10/31

THE CITY OF WINNIPEG
WATER AND WASTE DEPARTMENT
Winnipeg
NORTH END WATER POLLUTION CONTROL CENTRE
REHABILITATION OF DIGESTER No. II AND
SLUDGE HOLDING TANK No. 5 AND 7
DIGESTER No. II - MIXING SYSTEM DETAILS

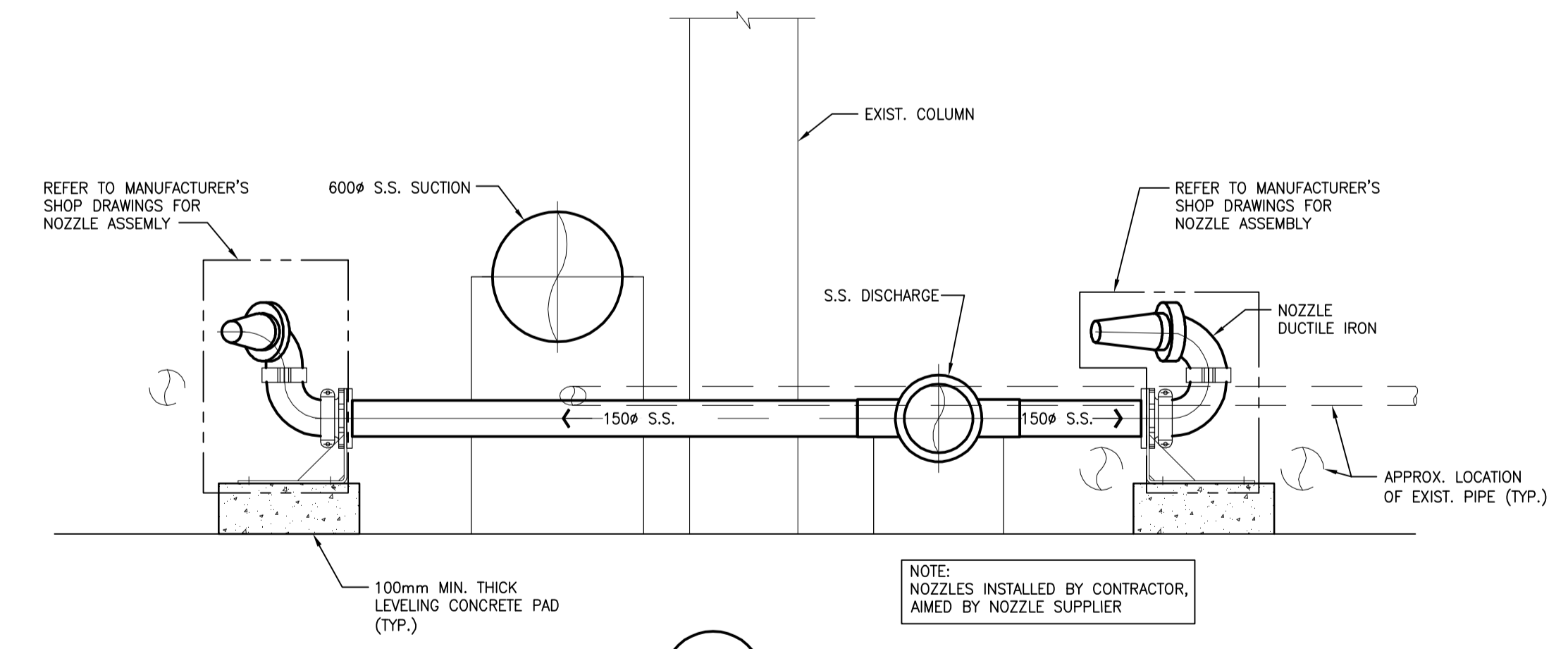
BID OPPORTUNITY NO. 573-2012
CITY DRAWING NUMBER I-0101D-M0008-001
SHEET 14 OF 29



3 LOWER LEVEL CONNECTIONS PLAN
1:50



B SECTION
M0007 M0008 1:25



C SECTION
M0007 M0008 1:25

V:\1117\weld\11171020_M0008-Digesters\Drawings\02_design\Sheet_01.dwg
 2012 October 31, 12:08 pm