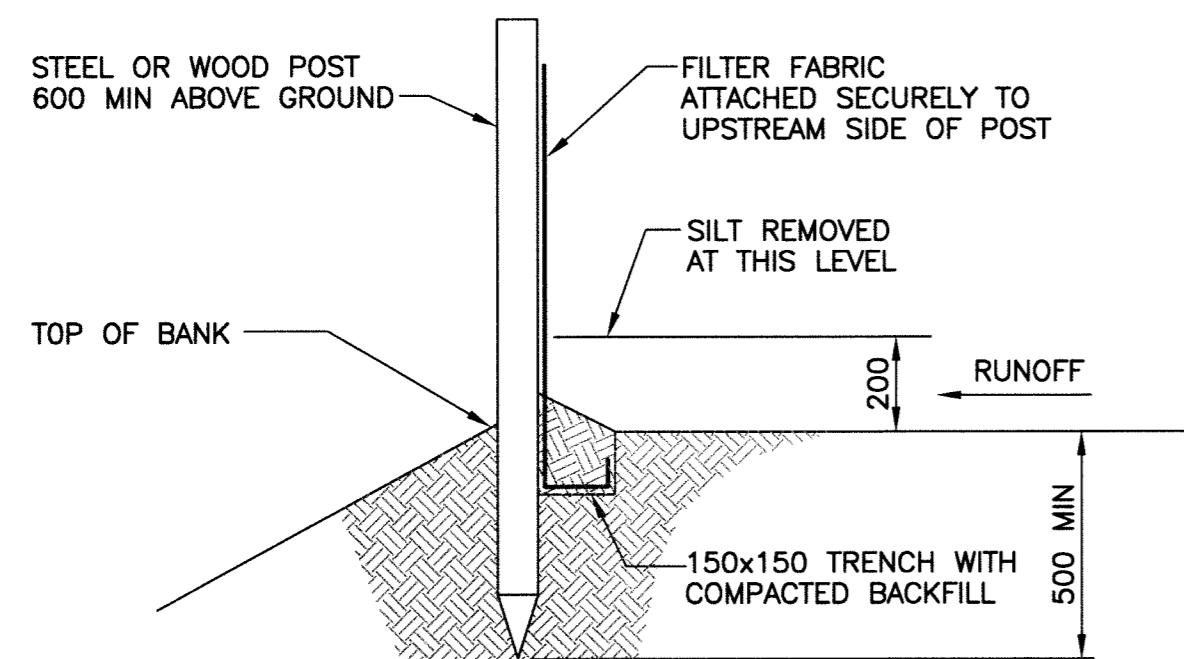
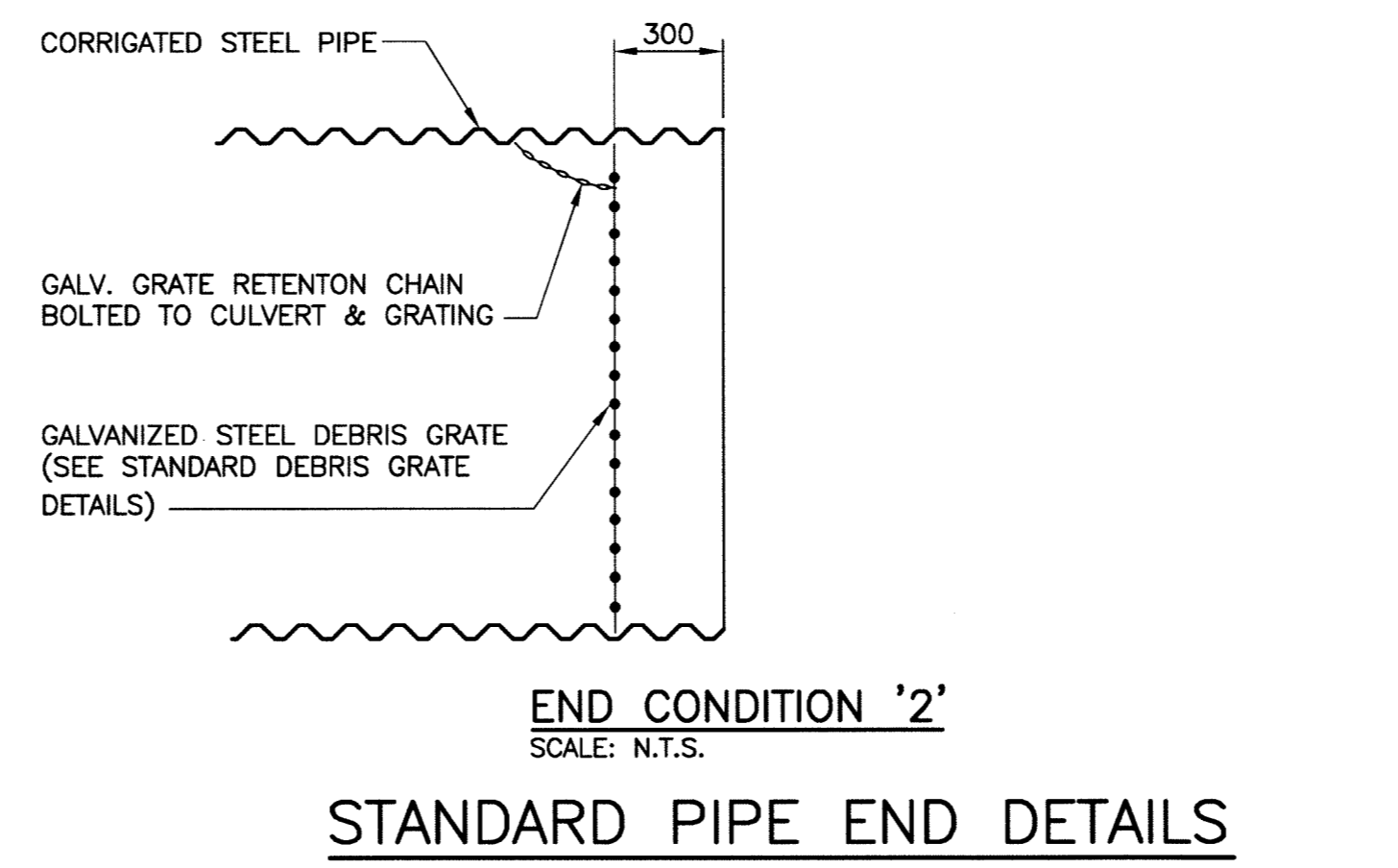


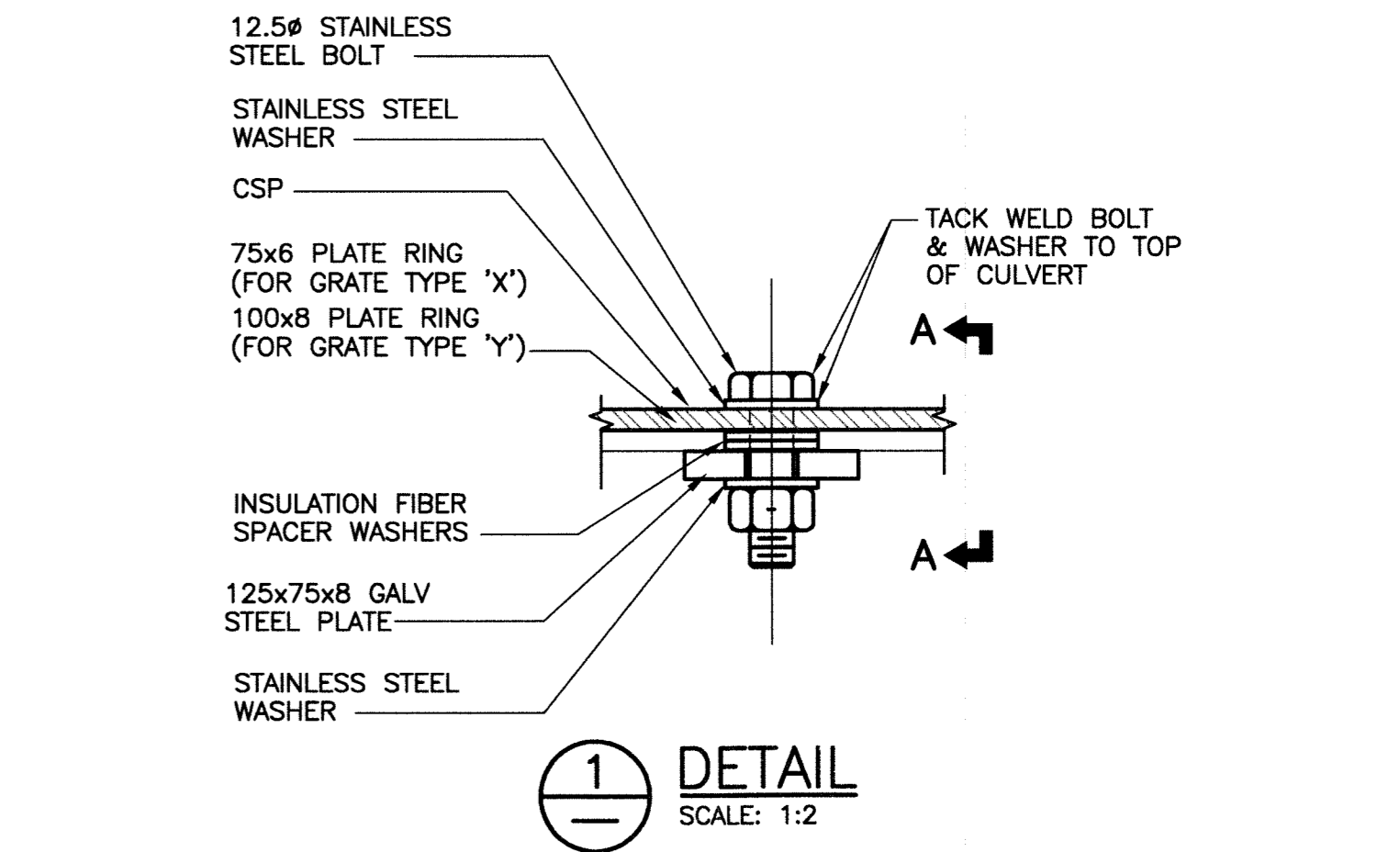
ISOMETRIC DETAIL
SCALE: N.T.S.



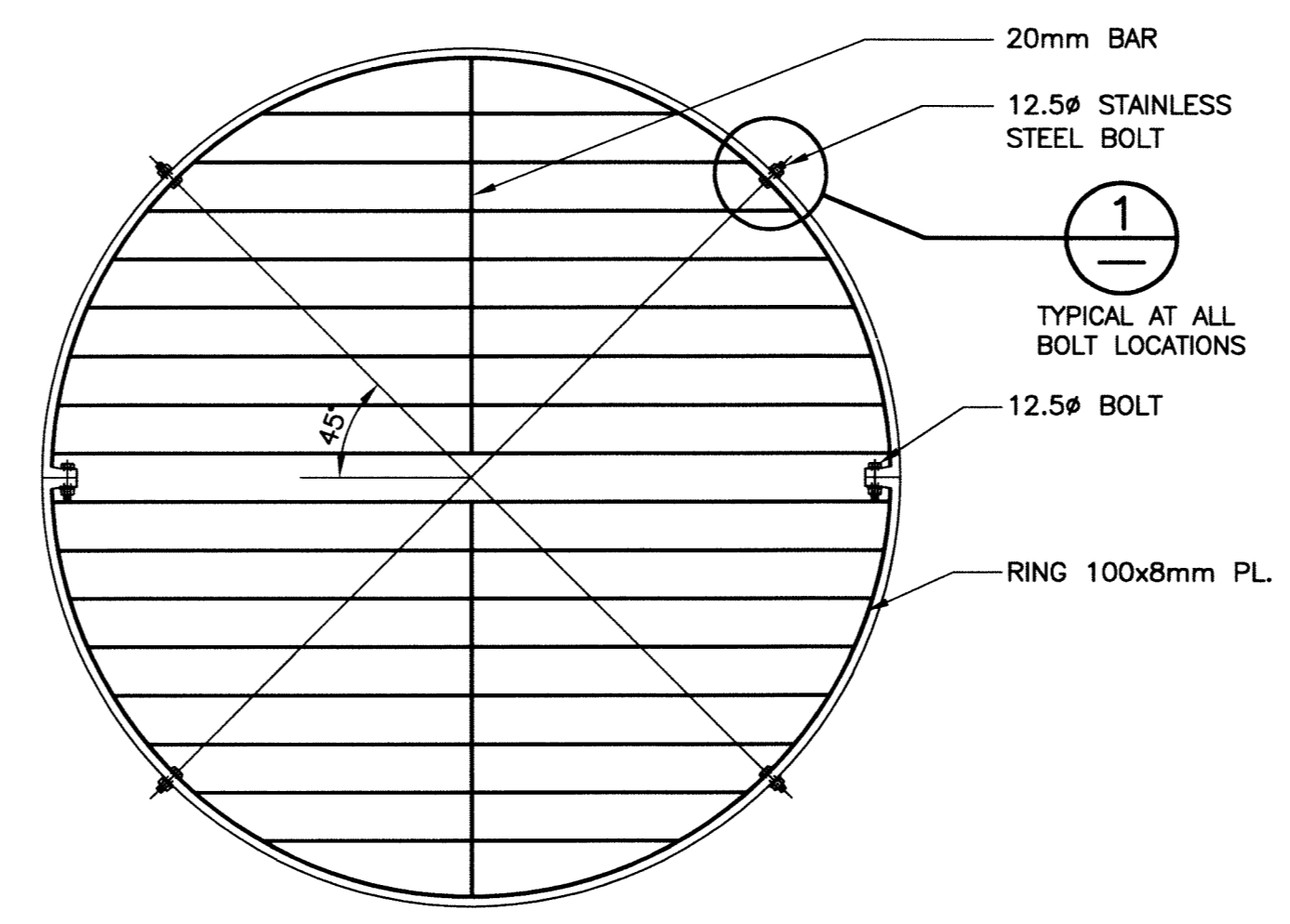
SECTION A-A
SCALE: N.T.S.
SILT FENCE DETAILS



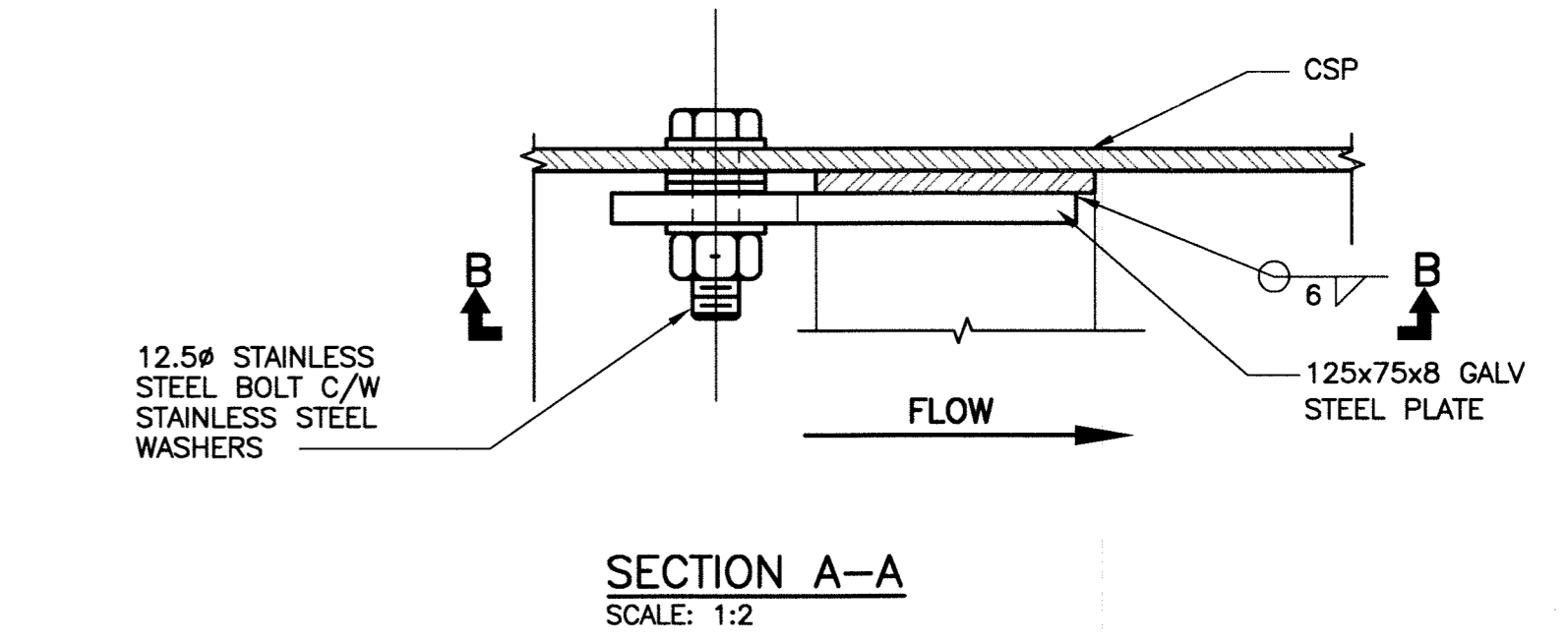
END CONDITION '2'
SCALE: N.T.S.
STANDARD PIPE END DETAILS



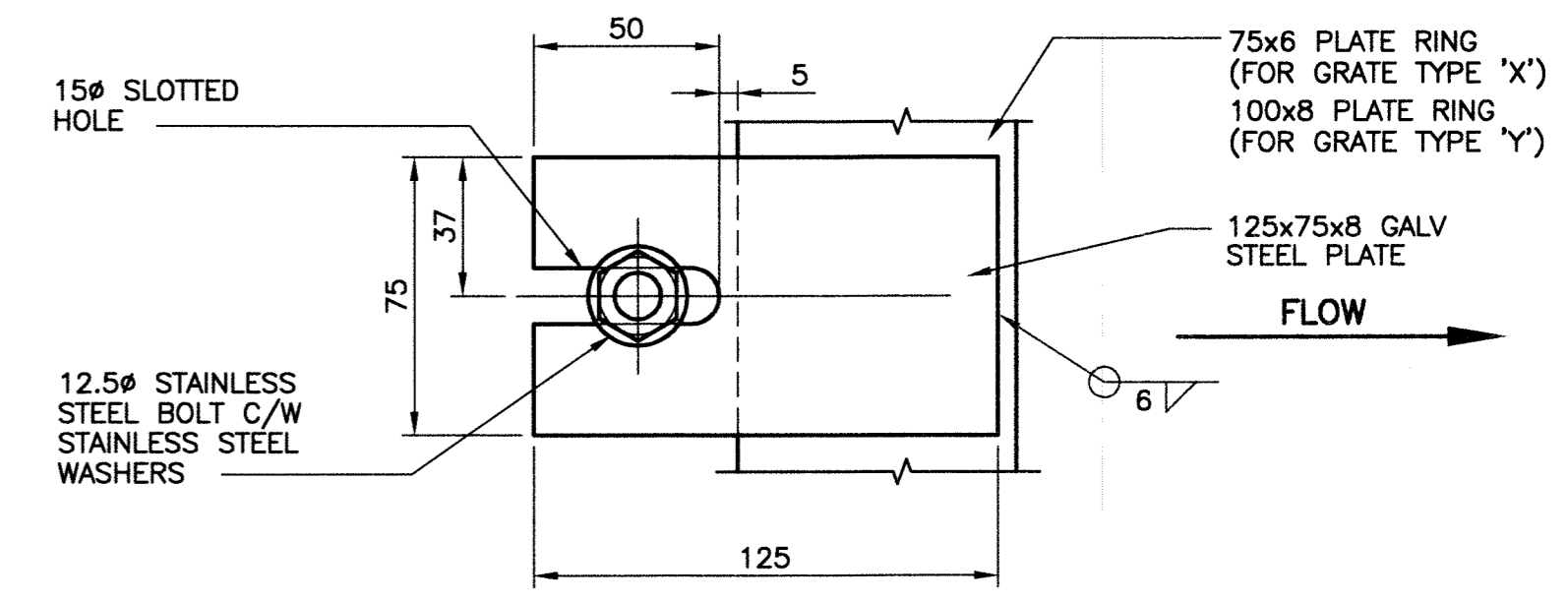
1 DETAIL
SCALE: 1:2



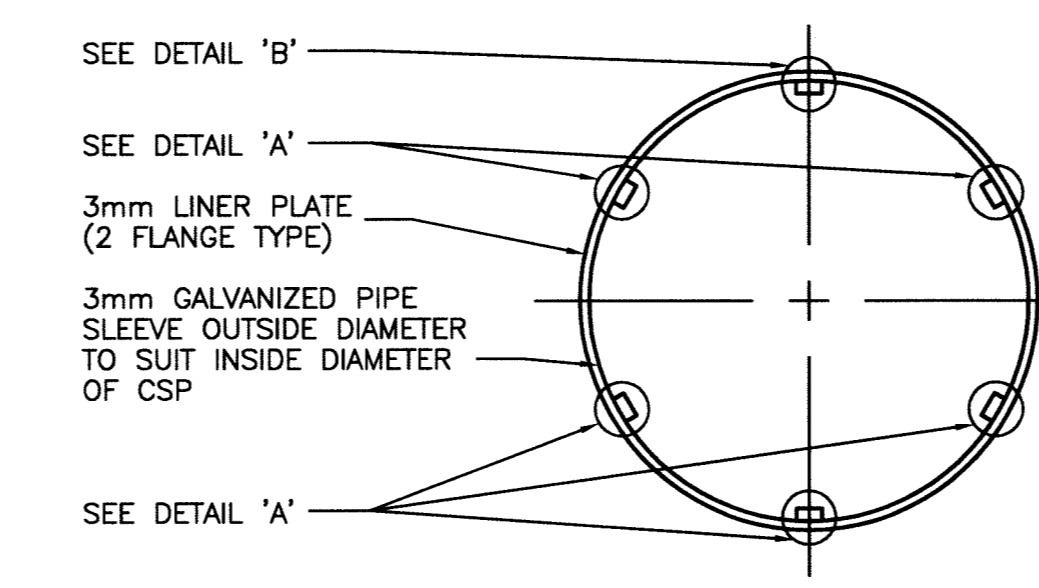
GRATING TYPE 'Y'
SCALE: N.T.S.



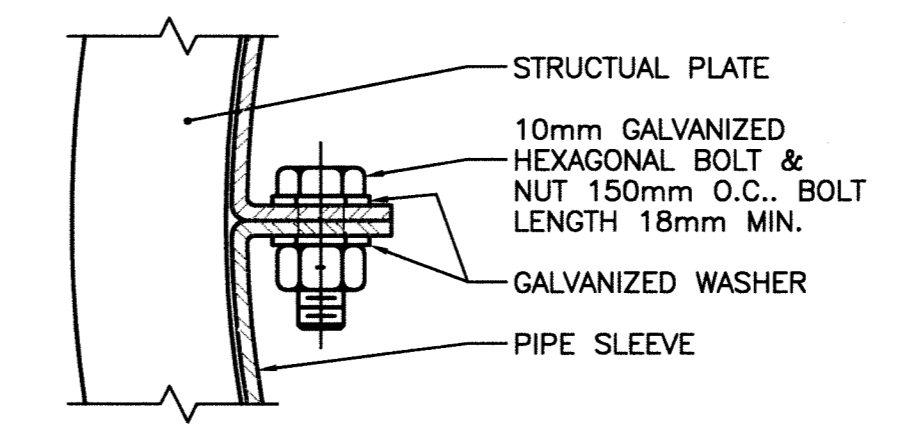
SECTION A-A
SCALE: 1:2



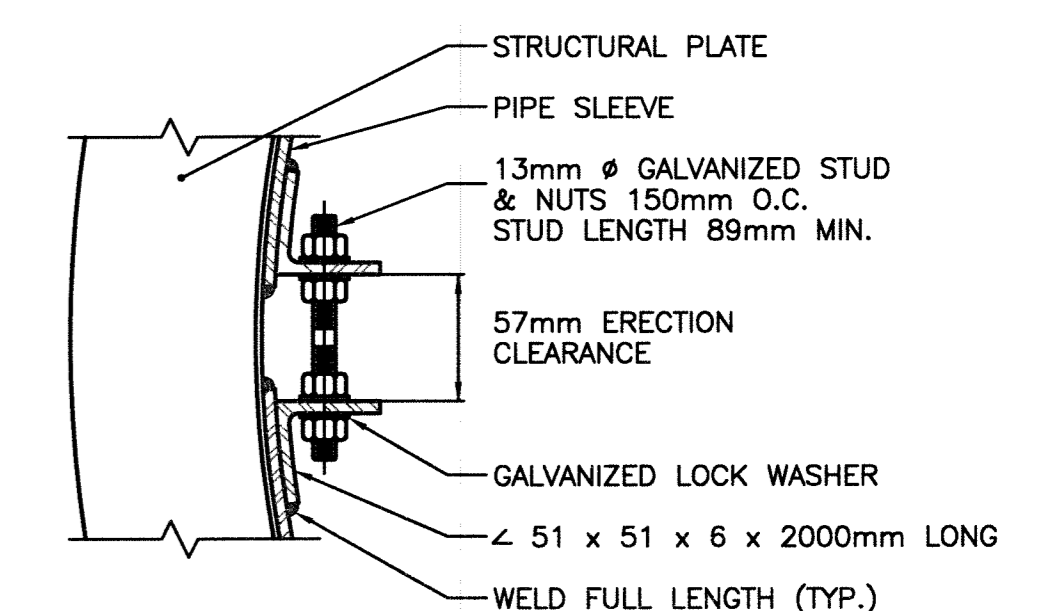
SECTION B-B
SCALE: 1:2



ELEVATION

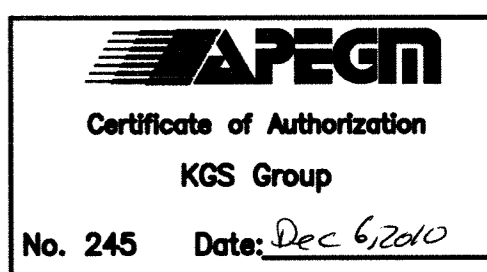


DETAIL 'A'



DETAIL 'B'

INTERNAL SLIP JOINT DETAILS
SCALE: N.T.S.



P:\Projects\2010\10-0107-18\Doc\Control\ToBeIssued\DWG\10-0107-18_LD_5586-Rev0.dwg - Tab: LD-5586 Plotted By: DDerache 12/06/2010 (Mon 4:54pm) C:\wlelend

LOCATION APPROVED UNDERGROUND STRUCTURES		B.M. -			
		ELEV. -			
SUPV. U/G STRUCTURES COMMITTEE	DATE				
NOTE: LOCATION OF UNDERGROUND STRUCTURES AS SHOWN ARE BASED ON THE BEST INFORMATION AVAILABLE BUT NO GUARANTEE IS GIVEN THAT THE GIVEN LOCATIONS ARE EXACT. CONFIRMATION OF EXISTENCE AND EXACT LOCATION OF ALL SERVICES MUST BE OBTAINED FROM THE INDIVIDUAL UTILITIES BEFORE PROCEEDING WITH CONSTRUCTION.					
NO.	ISSUED FOR TENDER	10/12/08	BY	DATE	09/11/25
	REVISIONS				

		ENGINEER'S SEAL 	
DESIGNED BY	RBO	CHECKED BY	PJH
DRAWN BY	DMW	APPROVED BY	
SCALE:	AS NOTED	RELEASED FOR CONSTRUCTION:	
CONSULTANT DRAWING NO.		10-0107-18_06	

		THE CITY OF WINNIPEG WATER AND WASTE DEPARTMENT	
PROJECT TITLE		2010 OUTFALL REPAIRS	
SHEET		OF	
05		05	
COMPUTER FILE NAME		10-0107-18	
MISCELLANEOUS DETAILS		CITY DRAWING NUMBER	
		LD-5586	