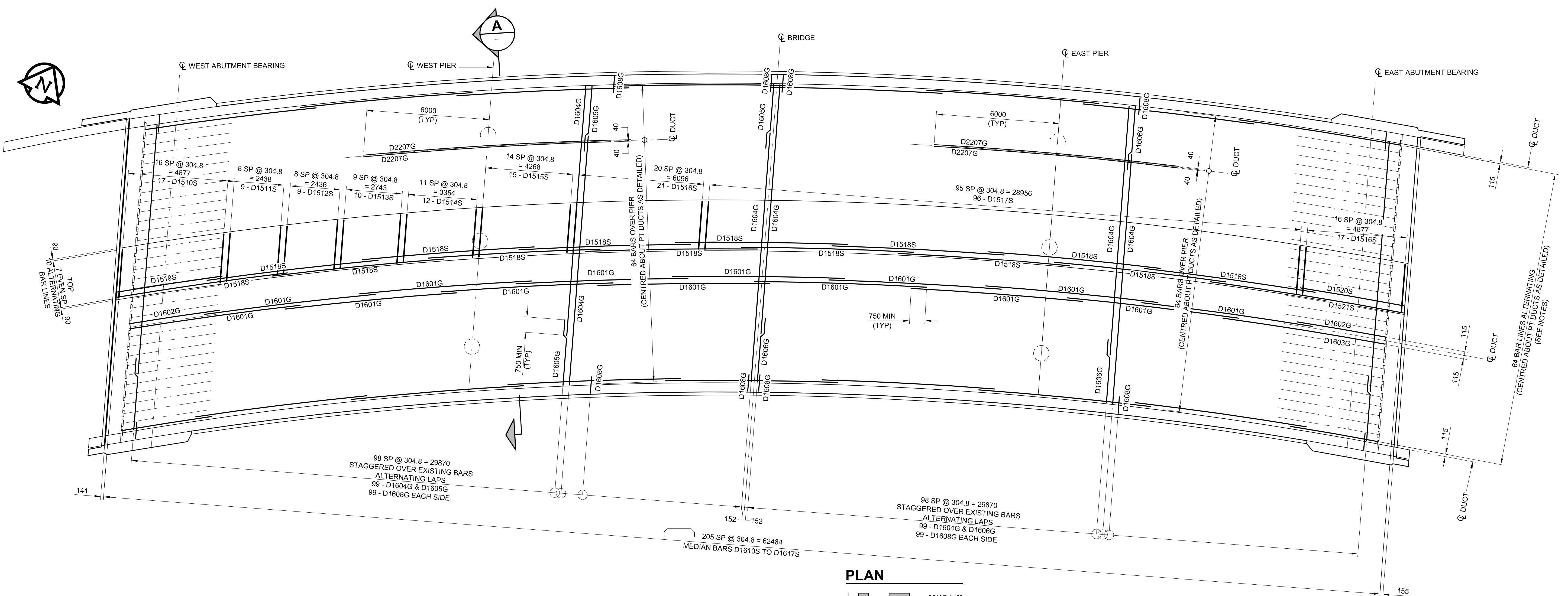
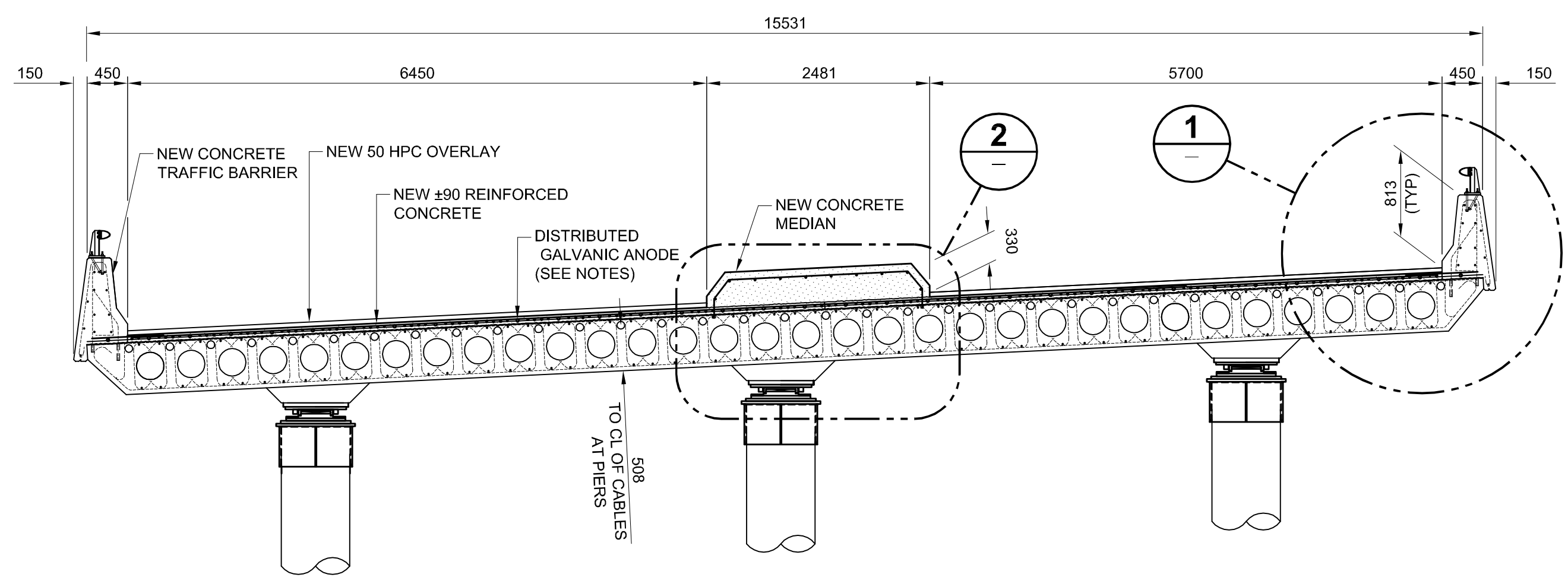


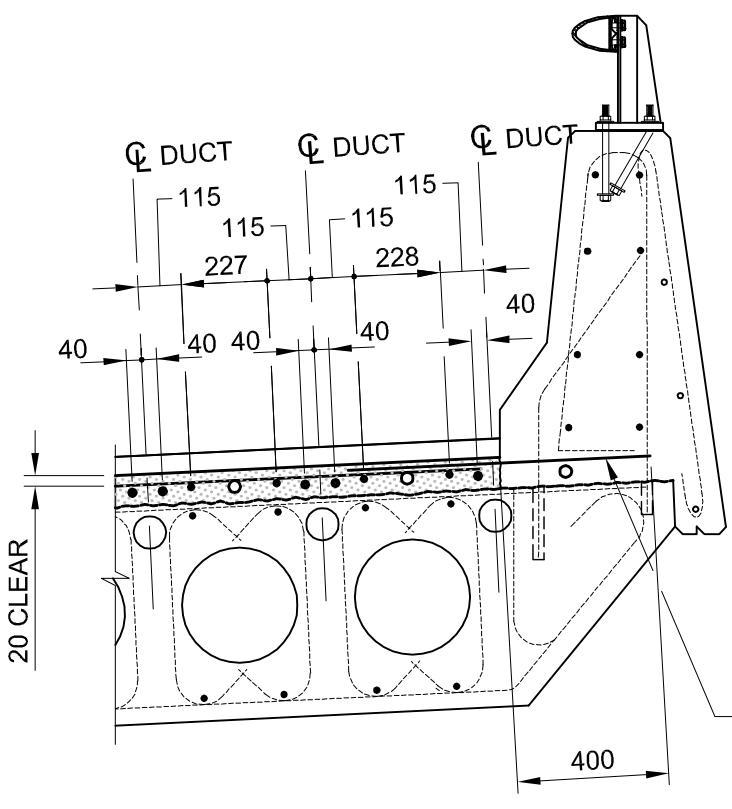
A1 SIZE 23.4" x 33.1" (594mm x 841mm) PLOT: 10/04/12 8:01:00 AM AECOM FILE NAME: 0265-412-00_01-S-0501_RX.dwg Saved By: Ihenfied



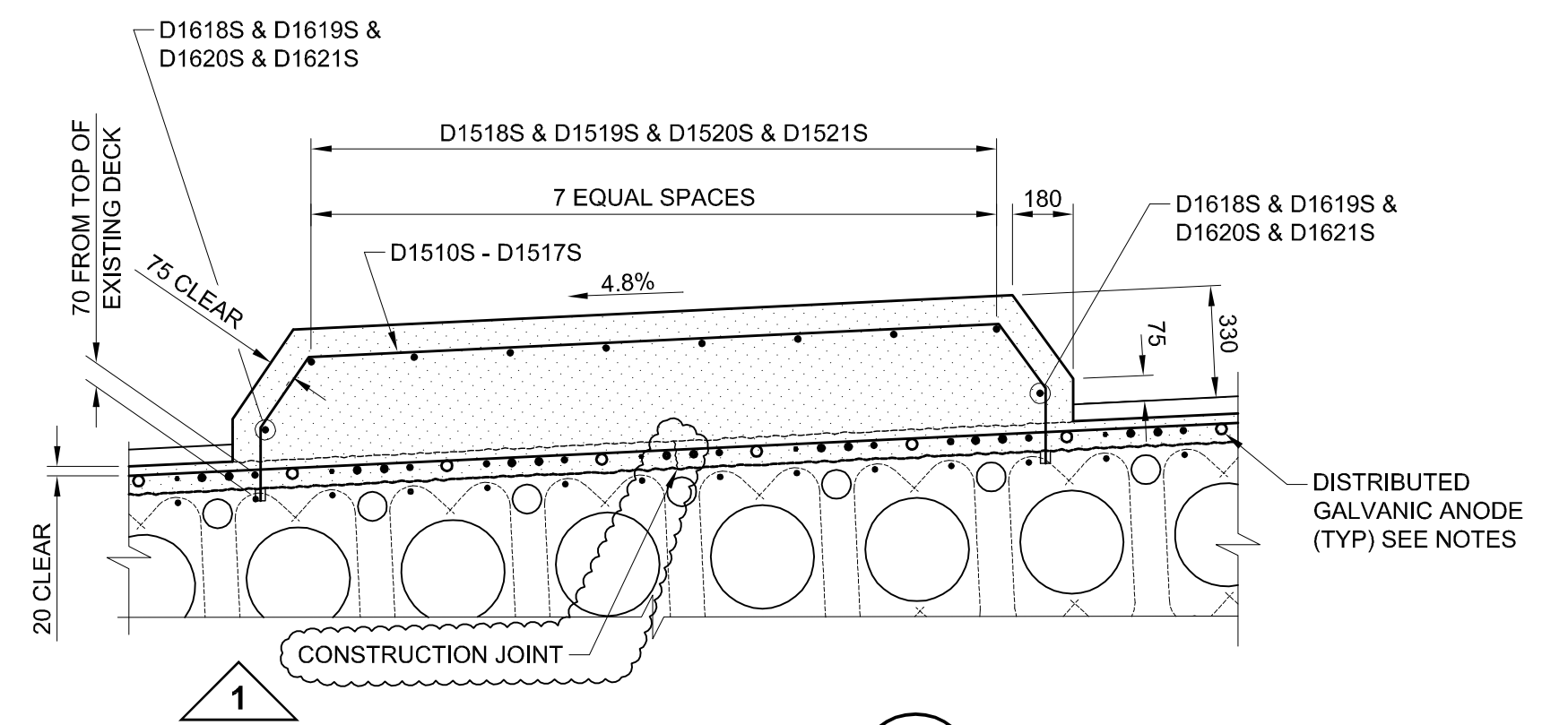
PLAN
SCALE 1:100



SECTION
SCALE 1:50



DETAIL 1
TYPICAL AT EDGE OF DECK
SCALE 1:20



DETAIL 2
SCALE 1:20

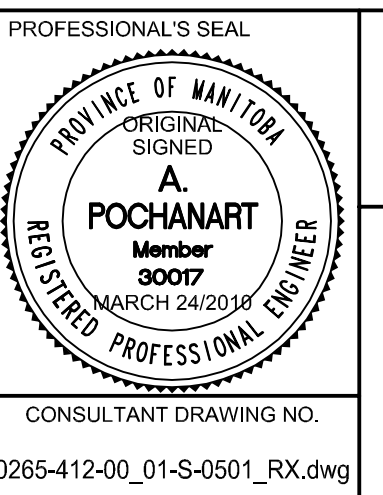
- NOTES:**
- SIZE AND SPACING OF THE DISTRIBUTED GALVANIC ANODES AND THE ACCOMPANYING MONITORING SYSTEM SHALL BE AS DETERMINED BY AN NACE-QUALIFIED CATHODIC PROTECTION SPECIALIST EMPLOYED BY THE CORROSION MITIGATION TECHNOLOGY COMPANY AND ENLISTED BY THE CONTRACTOR.
 - SPACING OF LONGITUDINAL GFRP REINFORCING IS TO BE FIELD ADJUSTED TO SUIT THE SPACING AND ORIENTATION OF THE GALVANIC ANODES.
 - MINIMUM AND MAXIMUM DECK REMOVAL THICKNESSES ARE 20mm AND 75mm RESPECTIVELY.
 - THE CONCRETE SURFACE TO RECEIVE HPC OVERLAY SHALL BE INTENTIONALLY ROUGHENED. THE SURFACE SHALL BE RAKED AND ROUGHENED TO PROVIDE A SURFACE PROFILE THAT WILL FACILITATE THE BOND OF THE HPC OVERLAY. FLOATING OF THIS SURFACE SHALL BE MINIMIZED TO AVOID FORMATION OF BLEED WATER ON THE SURFACE.
 - BASED ON THE RESULTS FROM THE POST-TENSIONED CABLE BREAK SCANNING, THE CONTRACT ADMINISTRATOR MAY INSTRUCT THE CONTRACTOR TO PLACE FEWER THAN 64 OF D2207G PER PIER OR MAY GIVE AN INSTRUCTION TO ALTER THEIR SPACING.

METRIC
WHOLE NUMBERS INDICATE MILLIMETRES
DECIMALIZED NUMBERS INDICATE METRES



LOCATION APPROVED UNDERGROUND STRUCTURES			
SUPR. / U/G STRUCTURES	DATE	BY	COMMITTEE
NOTE: LOCATION OF UNDERGROUND STRUCTURES AS SHOWN ARE BASED ON THE BEST INFORMATION AVAILABLE. BUT NO GUARANTEE IS GIVEN THAT ALL EXISTING UTILITIES ARE SHOWN OR THAT THE GIVEN LOCATIONS ARE EXACT. CONFIRMATION OF EXISTENCE AND EXACT LOCATION OF ALL SERVICES MUST BE OBTAINED FROM THE INDIVIDUAL UTILITIES BEFORE PROCEEDING WITH CONSTRUCTION.			
1	ISSUED FOR ADDENDUM 2	10/04/12	D.J.H.
0	ISSUED FOR CONSTRUCTION	10/03/24	CPK
B	ISSUED FOR 100% REVIEW	10/03/08	D.J.H.
A	ISSUED FOR 30% REVIEW	10/01/28	D.J.H.
NO.	REVISIONS	YYMMDD	BY

AECOM		This drawing has been prepared for the use of AECOM's client and may not be used, reproduced or relied upon by third parties, except as agreed by AECOM and its client, as required by law or for use by governmental reviewing agencies. AECOM accepts no responsibility, and denies any liability whatsoever, to any party that modifies this drawing without AECOM's express written consent. Do not scale this document. All measurements must be obtained from stated dimensions.	
DESIGNED BY	AP	CHECKED BY	SBB / CGC
DRAWN BY	DJH	APPROVED BY	
HOR. SCALE	AS NOTED	RELEASED FOR CONSTRUCTION	
VERT. SCALE	AS NOTED	DATE	YYMMDD



BID OPPORTUNITY NO. 133-2010

THE CITY OF WINNIPEG
 PUBLIC WORKS DEPARTMENT
 ENGINEERING DIVISION

JUBILEE AVENUE OVERPASS REHABILITATION
 DECK CONCRETE DETAILS & REINFORCING DETAILS

CITY DRAWING NUMBER	B124-10-08
SHEET	08 OF 51
DRAWING No.	08
REV	1

CONSULTANT DRAWING NO. 0265-412-00_01-S-0501_RX.dwg