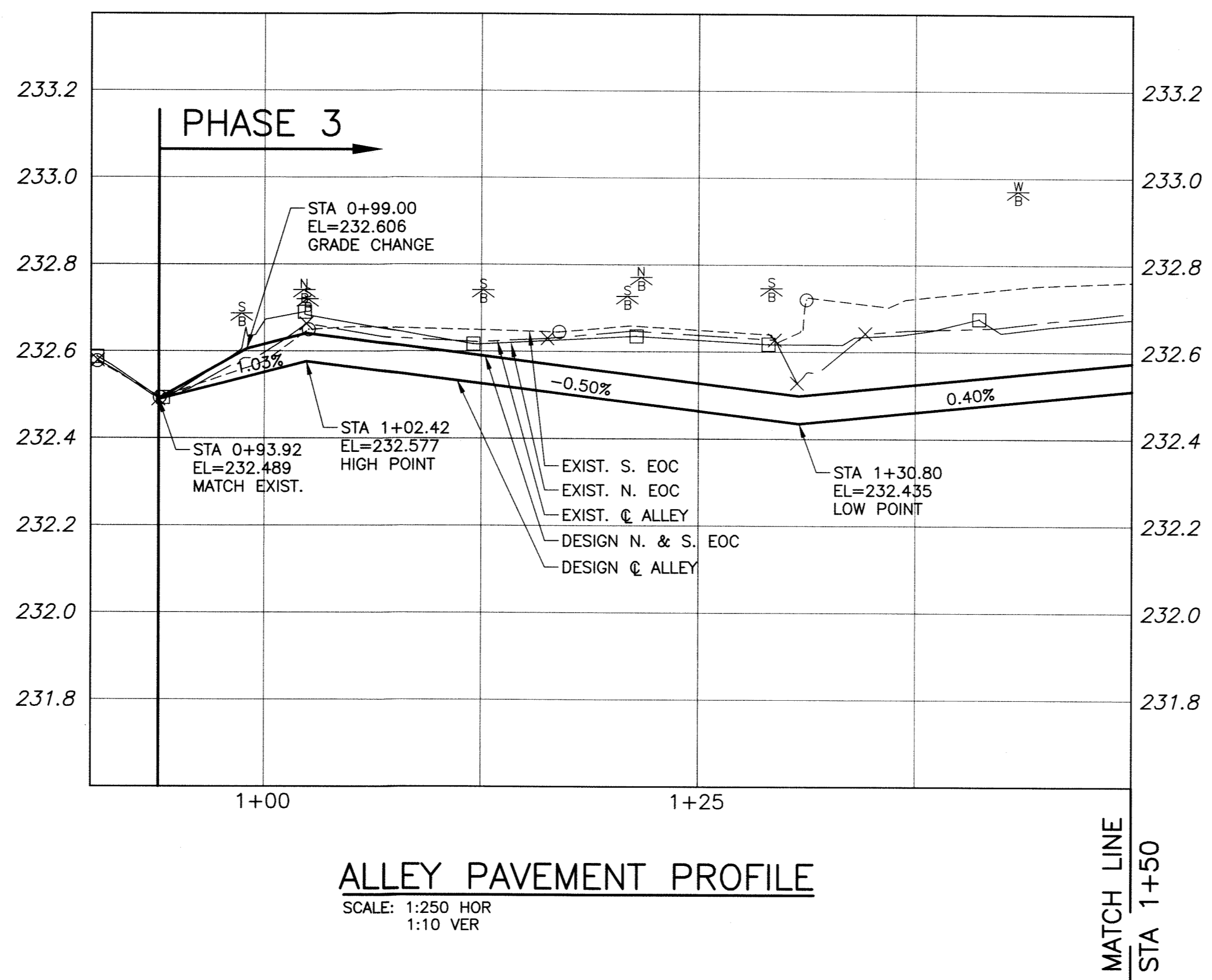
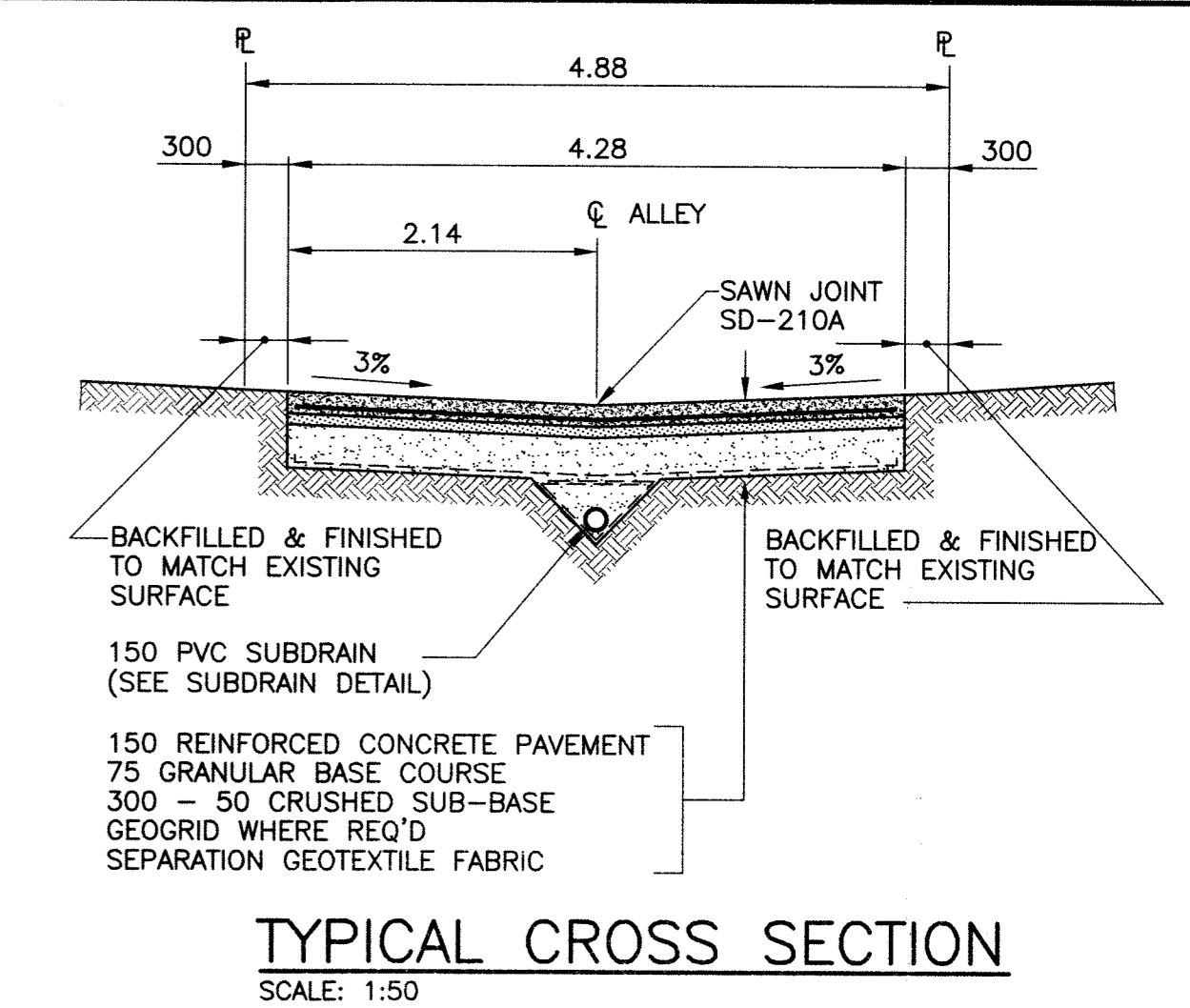


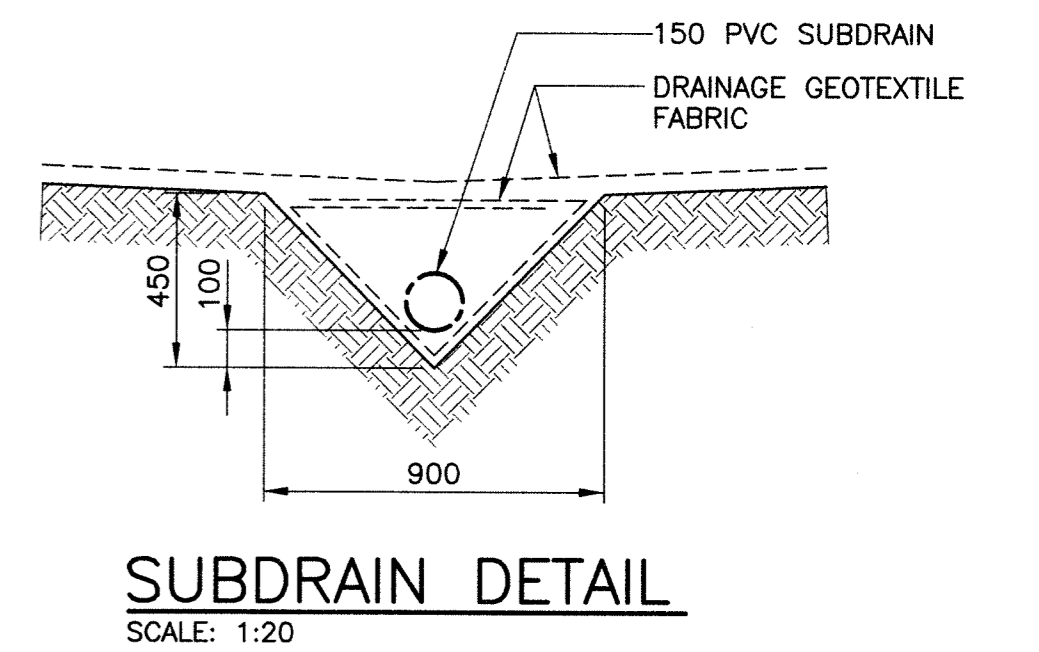
F:\Projects\2008\09-0107-03\Doc Control\Issued\SOURCE\dwg\09-0107-03_0008-0013-Rev.0.dwg - Tab. 08 Plotted By: DBoishe 05/05/2009 [Tue 2:39pm]



ALLEY PAVEMENT PROFILE
SCALE: 1:250 HOR
1:10 VER

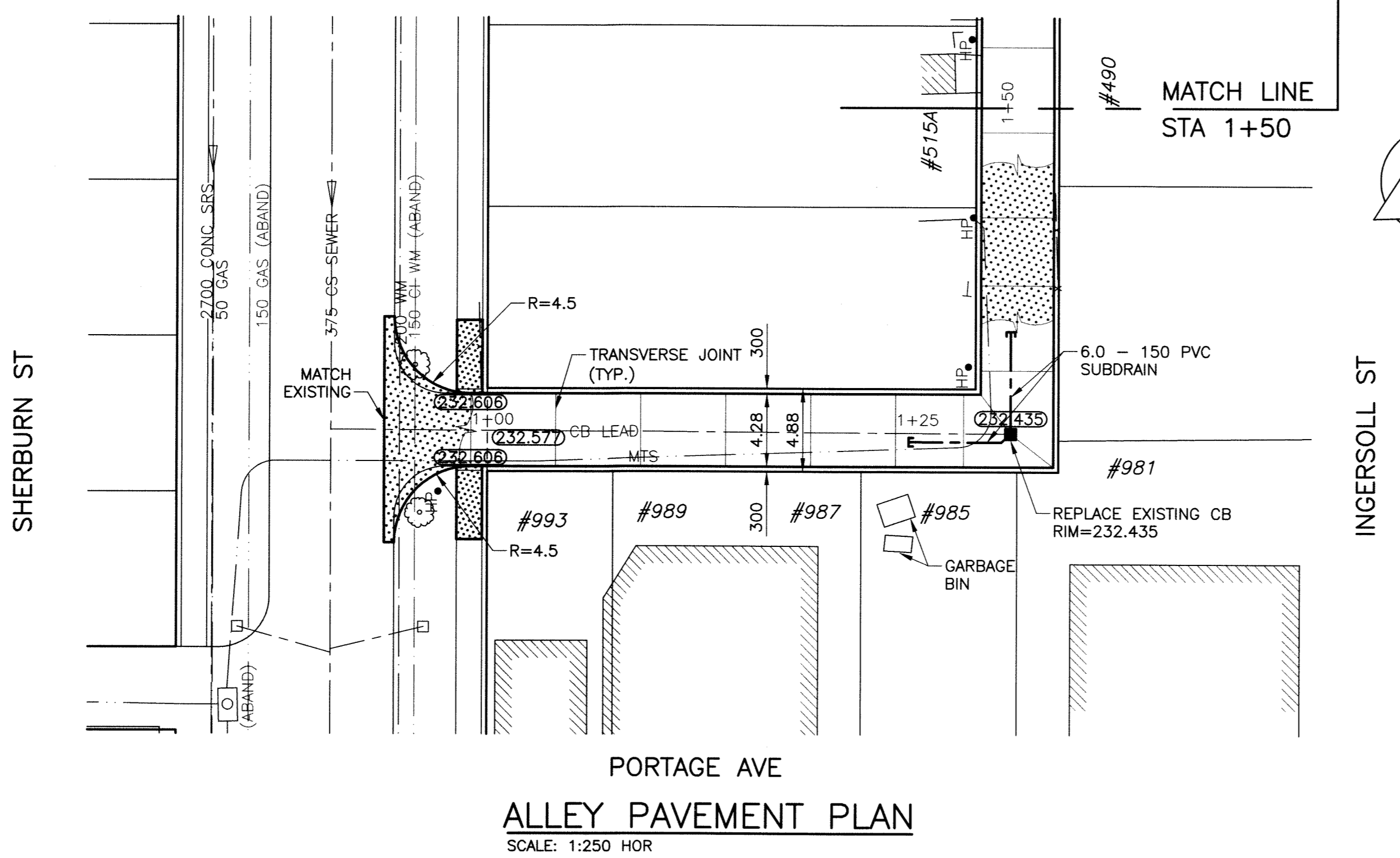


TYPICAL CROSS SECTION
SCALE: 1:50



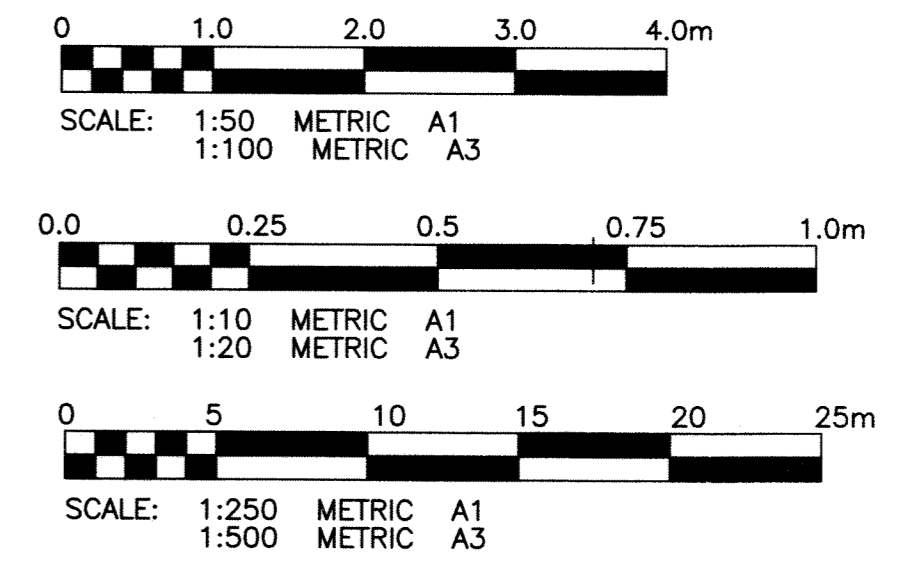
SUBDRAIN DETAIL
SCALE: 1:20

- NOTE:**
1. STATION CHAINAGE IS BASED ON CENTERLINE OF ALLEY RIGHT OF WAY.
 2. ADJUST MH AND CB RIMS TO NEW GRADES.
 3. PLUG SUBDRAINS AT TERMINAL ENDS.
 4. REGRADE EXISTING PRIVATE SIDEWALKS AS REQUIRED.
 5. INSTALLATION OF LIP CURBS AND THEIR EXTENTS TO BE DETERMINED BY THE CONTRACT ADMINISTRATOR.
 6. LIGHT STANDARDS, HYDRO POLES AND ANCHORS MAY REQUIRE TEMPORARY SUPPORT/REMOVAL OR REPLACEMENT AT THE CONTRACTOR'S EXPENSE.
 7. ISOLATE ALL POLES, BASES AND PILES WITHIN ALLEY RIGHT OF WAY (SD-228C).
 8. AVOID DAMAGE TO EXISTING TREES WITHIN THE LIMITS OF CONSTRUCTION.



ALLEY PAVEMENT PLAN
SCALE: 1:250 HOR

PROPERTY LIMITS DELINEATION
DELINEATION OF PROPERTY LIMITS AS SHOWN ON THIS DWG DOES NOT REPRESENT A "LEGAL SURVEY". KGS GROUP MAKES NO REPRESENTATION OR WARRANTY AS TO THE ACCURACY OF PROPERTY LIMITS DELINEATED ON THIS DWG, NOR ON THE DIMENSIONAL ACCURACY OF DWG FEATURES RELATIVE TO THOSE PROPERTY LIMITS.



WARNING

1. NOTIFY THE GAS COMPANY OF THE PROPOSED LOCATION OF EXCAVATION.
2. TAKE PRECAUTION TO AVOID DAMAGE TO GAS COMPANY INSTALLATIONS.
3. SEE PROVINCIAL REGULATION 210/72 FOR DETAILS.

METRIC
WHOLE NUMBERS INDICATE MILLIMETRES
DECIMALIZED NUMBERS INDICATE METRES

APEGN
Certificate of Authorization
KGS Group
No. 245 Date: 05/05/09

300_IDS	LAND DRAINAGE SEWER	300_IDS	CONCRETE JOINT				
250_WWS	WASTE WATER SEWER	250_WWS	TEST HOLE				
	GAS		GUY WIRE				
	HYDRO		LIGHT STANDARD				
	M.T.S.		BACK OF CURB				
150_WM	WATERMAIN	150_WM	CONCRETE				
	HYDRANT		ASPHALT				
	VALVE		SIDEWALK				
	MANHOLE		PROPERTY LINE				
	CATCH BASIN		SURVEY BAR				
	CURB INLET		GEODETIC BENCHMARK				
	POLES		ELEVATION	231.334	32.231	TTTTT	TTTTT
EXISTING	LEGEND-PLAN	PROPOSED	EXISTING	LEGEND-PLAN	PROPOSED	EXISTING	LEGEND-PROFILE

LOCATION APPROVED UNDERGROUND STRUCTURES

SUPV. U/G STRUCTURES COMMITTEE DATE

NOTE:
LOCATION OF UNDERGROUND STRUCTURES AS SHOWN ARE BASED ON THE BEST INFORMATION AVAILABLE BUT NO GUARANTEE IS GIVEN THAT ALL EXISTING UTILITIES ARE SHOWN OR THAT THE GIVEN LOCATIONS ARE EXACT. CONFIRMATION OF EXISTENCE AND EXACT LOCATION OF ALL SERVICES MUST BE OBTAINED FROM THE INDIVIDUAL UTILITIES BEFORE PROCEEDING WITH CONSTRUCTION.

B.M.	37-010		
ELEV.	233.427		
NO.	REVISIONS	DATE	BY
0	ISSUED FOR TENDER	06/05/09	JDF

KGS GROUP
CONSULTING ENGINEERS & PROJECT MANAGERS
WINNIPEG (204) 896-1209
THUNDER BAY (807) 345-2233

DESIGNED BY: JDF
CHECKED BY: RJH
DRAWN BY: GEL
APPROVED BY:

HOR. SCALE: 1:250
VERTICAL: 1:50

RELEASED FOR CONSTRUCTION: 17/11/08

ENGINEER'S SEAL
PROVINCE OF MANITOBA
R.J. HOUSTON
Member
4395
REGISTERED PROFESSIONAL ENGINEER

THE CITY OF WINNIPEG
PUBLIC WORKS DEPARTMENT
TRANSPORTATION ENGINEERING DIVISION

PROJECT TITLE: 2009 ALLEY RENEWAL PROGRAM
SHERBURN ST./INGERSOLL ST. ALLEY
PORTAGE AVE. TO ST. MATTHEWS AVE.
STA. 1+00.0 TO STA. 1+50.0

SHEET 08 OF 15
COMPUTER FILE NAME: SHERBURN_INGERSOLL-PL0T
CITY DRAWING NUMBER: 0008