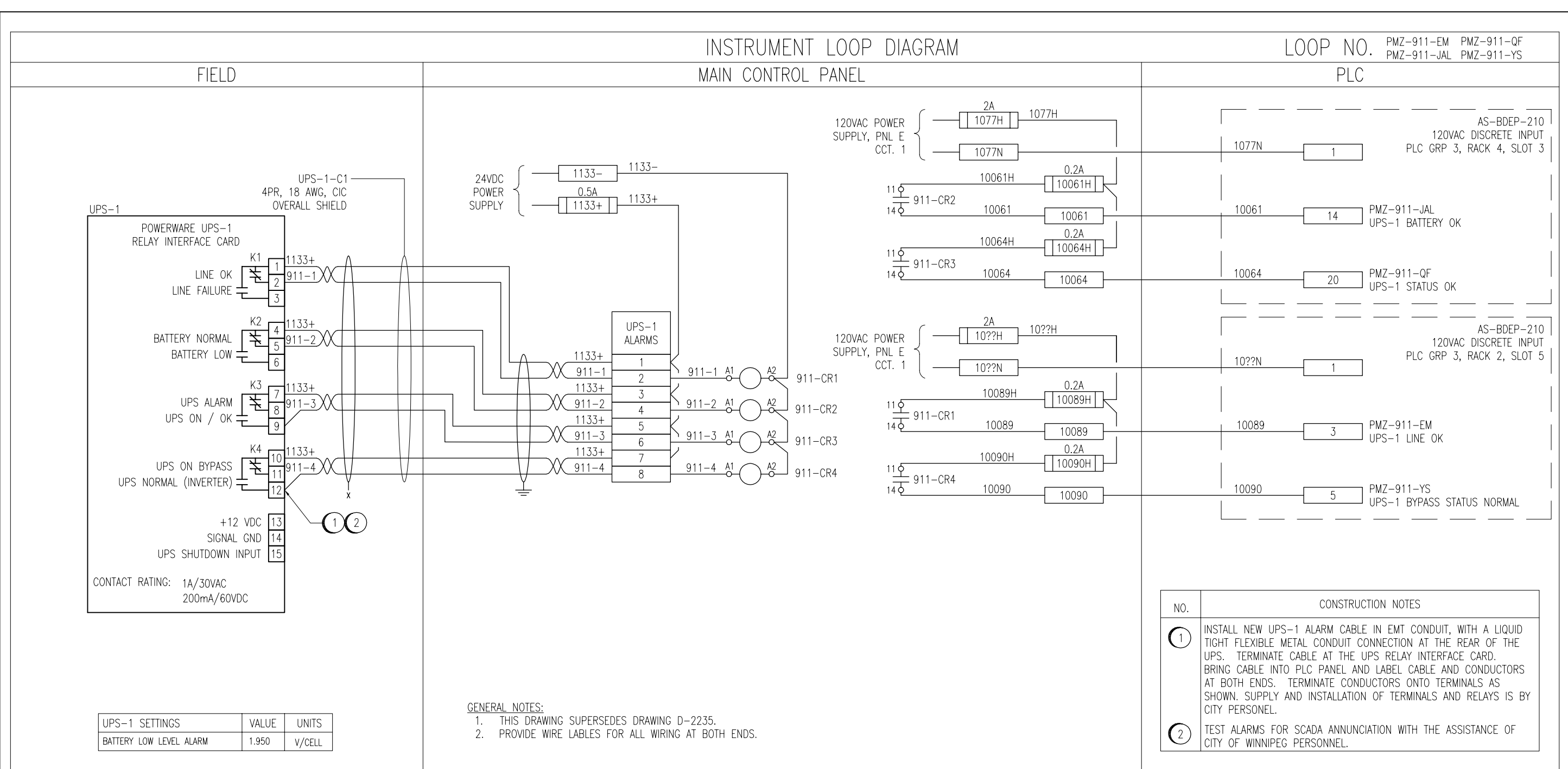


LAST SAVE: 2008/01/09 - 10:30am
 PATH: M:\113063\4ENG\481&C\DD - General DWG\1-0640M-A0028-001-PA.dwg
 B SIZE - 279mm x 432mm




UPS-1 SETTINGS	VALUE	UNITS
BATTERY LOW LEVEL ALARM	1.950	V/CELL


- GENERAL NOTES:**
- THIS DRAWING SUPERSEDES DRAWING D-2235.
 - PROVIDE WIRE LABELS FOR ALL WIRING AT BOTH ENDS.

NO.	CONSTRUCTION NOTES
1	INSTALL NEW UPS-1 ALARM CABLE IN EMT CONDUIT, WITH A LIQUID TIGHT FLEXIBLE METAL CONDUIT CONNECTION AT THE REAR OF THE UPS. TERMINATE CABLE AT THE UPS RELAY INTERFACE CARD. BRING CABLE INTO PLC PANEL AND LABEL CABLE AND CONDUCTORS AT BOTH ENDS. TERMINATE CONDUCTORS ONTO TERMINALS AS SHOWN. SUPPLY AND INSTALLATION OF TERMINALS AND RELAYS IS BY CITY PERSONNEL.
2	TEST ALARMS FOR SCADA ANNUNCIATION WITH THE ASSISTANCE OF CITY OF WINNIPEG PERSONNEL.



SNC-Lavalin Inc. (MB)
No. 4489 Expiry: April 30, 2008

		SNC-LAVALIN INC. 148 Nature Park Way Winnipeg, MB, Canada R3P 0X7 204-786-8080	
DESIGNED BY:	C. REIMER	ENGINEER'S SEAL	PRELIMINARY NOT TO BE USED FOR CONSTRUCTION
DRAWN BY:	A. OLIVER		
CHECKED BY:	C. REIMER		
APPROVED BY:	C. REIMER		
SCALE:	N.T.S.		
DATE:	2007/08/28		
CONSULTANT NO.:	113063		
NO.	REVISIONS	DATE	BY
0	ISSUED FOR TENDER	2008/01/09	AEO



THE CITY OF WINNIPEG
WATER AND WASTE DEPARTMENT

MCPHILLIPS PUMPING STATION
UPS UPGRADES
INSTRUMENT LOOP DIAGRAM
UPS-1 ALARMS

CITY DRAWING NUMBER	SHEET	REV.	SIZE
1-0640M-A0028	001	0	B