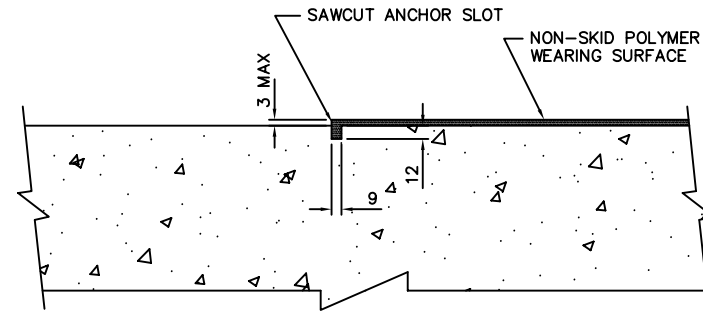
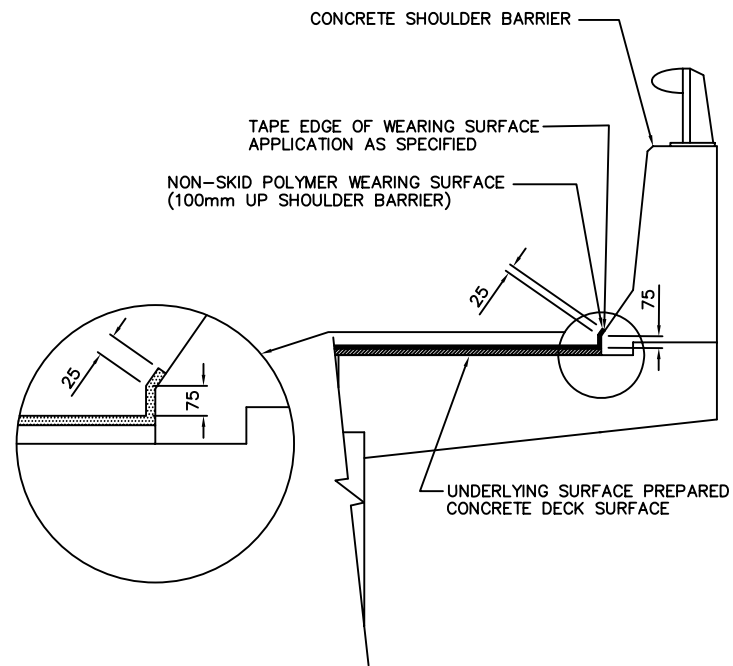


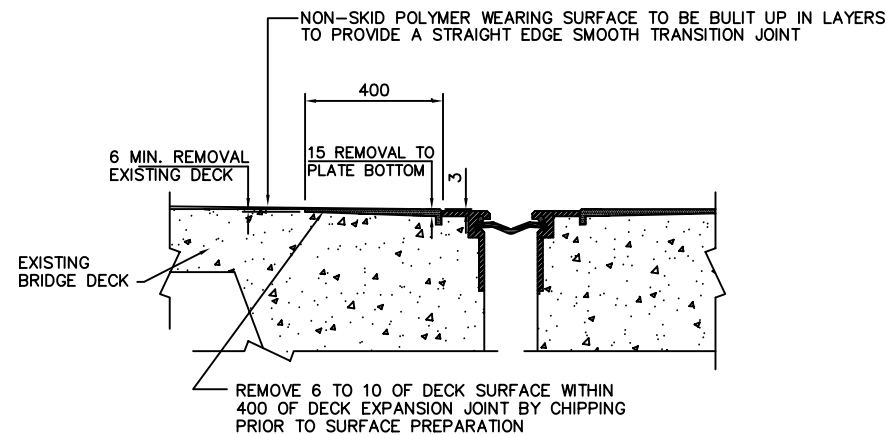
DECK REPAIR DETAILS
N.T.S.



TYPICAL ANCHOR DETAIL
N.T.S.



TRAFFIC BARRIER DETAIL (TYPICAL)
N.T.S.



EXPANSION JOINT (TYPICAL)
N.T.S.

METRIC
WHOLE NUMBERS INDICATE MILLIMETRES
DECIMALIZED NUMBERS INDICATE METRES

NOTE:

B.M. ELEV.	DESIGNED BY: B.A.N.
	DRAWN BY: M.R.T.
	CHECKED BY: B.A.N.
	APPROVED BY: B.A.N.
	AUTHORIZED BY:
	B.A. NEIRINCK BRIDGE PLANNING & OPERATIONS ENGINEER
NO. REVISION	DATE BY

ENGINEER'S SEAL

BID OPPORTUNITY NO.: 245-2007

CITY OF WINNIPEG
PUBLIC WORKS DEPARTMENT
ENGINEERING DIVISION

MISCELLANEOUS DECK SEALING,
CONCRETE REPAIRS &
RELATED WORKS

TCH #1 (FERMOR) BRIDGE WESTBOUND
WEARING SURFACE DETAILS

SHEET 2 OF 2

HORIZONTAL: N.T.S.
VERTICAL: N.T.S.

CITY DRAWING NUMBER:
B118-07-02