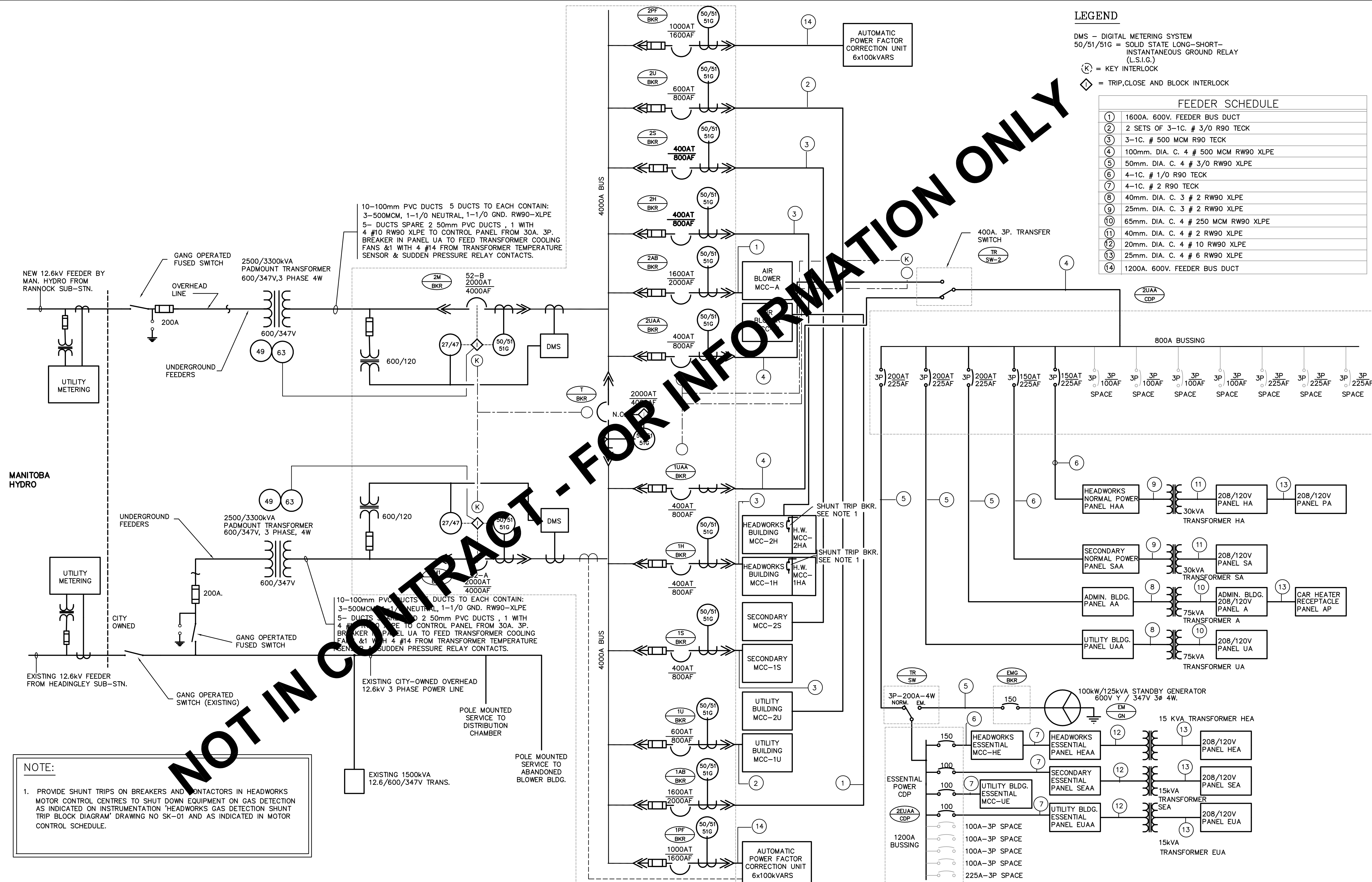


LEGEND

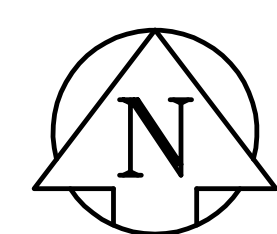
DMS - DIGITAL METERING SYSTEM
 50/51/51G = SOLID STATE LONG-SHORT-INSTANTANEOUS GROUND RELAY (L.S.I.G.)
 (K) = KEY INTERLOCK
 (◇) = TRIP, CLOSE AND BLOCK INTERLOCK

FEEDER SCHEDULE	
1	1600A. 600V. FEEDER BUS DUCT
2	2 SETS OF 3-1C. # 3/0 R90 TECK
3	3-1C. # 500 MCM R90 TECK
4	100mm. DIA. C. 4 # 500 MCM RW90 XLPE
5	50mm. DIA. C. 4 # RW90 XLPE
6	4-1C. # 1/0 R90 TECK
7	4-1C. # 2 R90 TECK
8	40mm. DIA. C. 3 # 2 RW90 XLPE
9	25mm. DIA. C. 3 # 2 RW90 XLPE
10	65mm. DIA. C. 4 # 250 MCM RW90 XLPE
11	40mm. DIA. C. 4 # 2 RW90 XLPE
12	20mm. DIA. C. 4 # 10 RW90 XLPE
13	25mm. DIA. C. 4 # 6 RW90 XLPE
14	1200A. 600V. FEEDER BUS DUCT



NOTE:
 1. PROVIDE SHUNT TRIPS ON BREAKERS AND CONTACTORS IN HEADWORKS MOTOR CONTROL CENTRES TO SHUT DOWN EQUIPMENT ON GAS DETECTION AS INDICATED ON INSTRUMENTATION 'HEADWORKS GAS DETECTION SHUNT TRIP BLOCK DIAGRAM' DRAWING NO SK-01 AND AS INDICATED IN MOTOR CONTROL SCHEDULE.

detail symbol
 A detail number
 B drawing where detail shown
 C cross reference to drawing where detail taken



B.M. ELEV.	69-006 237.636 m
DESIGNED BY	
CHECKED BY	
DRAWN BY	EJS
APPROVED BY	
HOR. SCALE:	N.T.S.
VERTICAL:	
RELEASED FOR CONSTRUCTION:	
ISSUED FOR TENDER	
NO. REVISIONS	DATE BY DATE
	91-04-29

Reid Crowther

ENGINEER'S SEAL

CONSULTANT DRAWING NO. 60910 - LE3

THE CITY OF WINNIPEG
 WORKS AND OPERATIONS DIVISION
 WATERWORKS WASTE AND DISPOSAL DEPT.

WEST END WATER POLLUTION CONTROL CENTRE
 AREA L - GENERAL

ELECTRICAL SINGLE LINE DIAGRAM

CITY DRAWING NUMBER SHEET OF