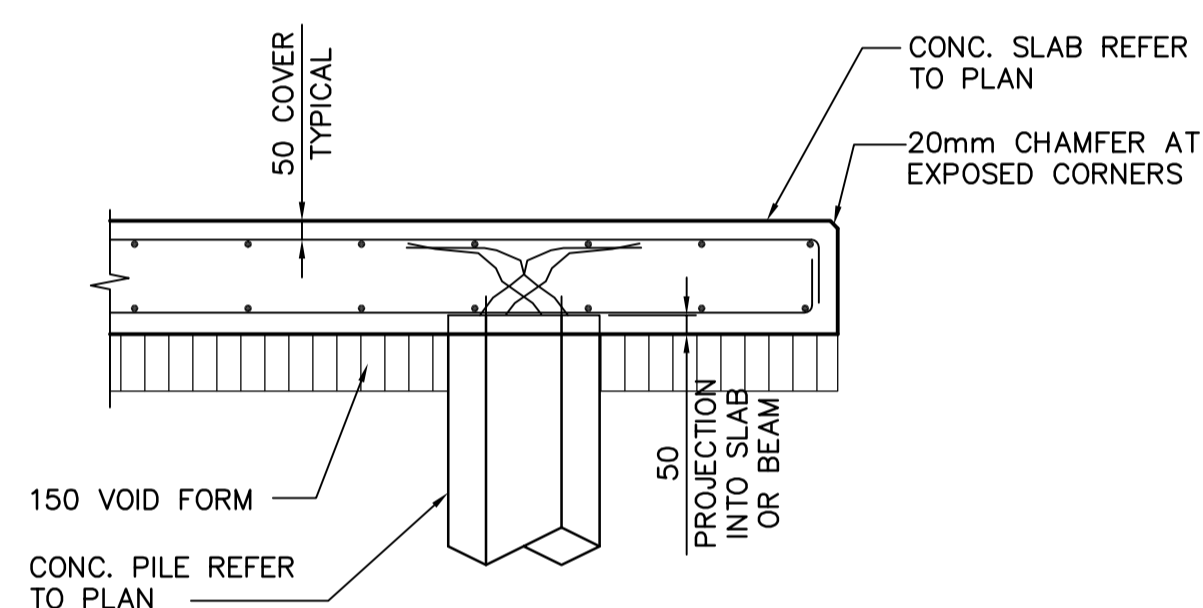
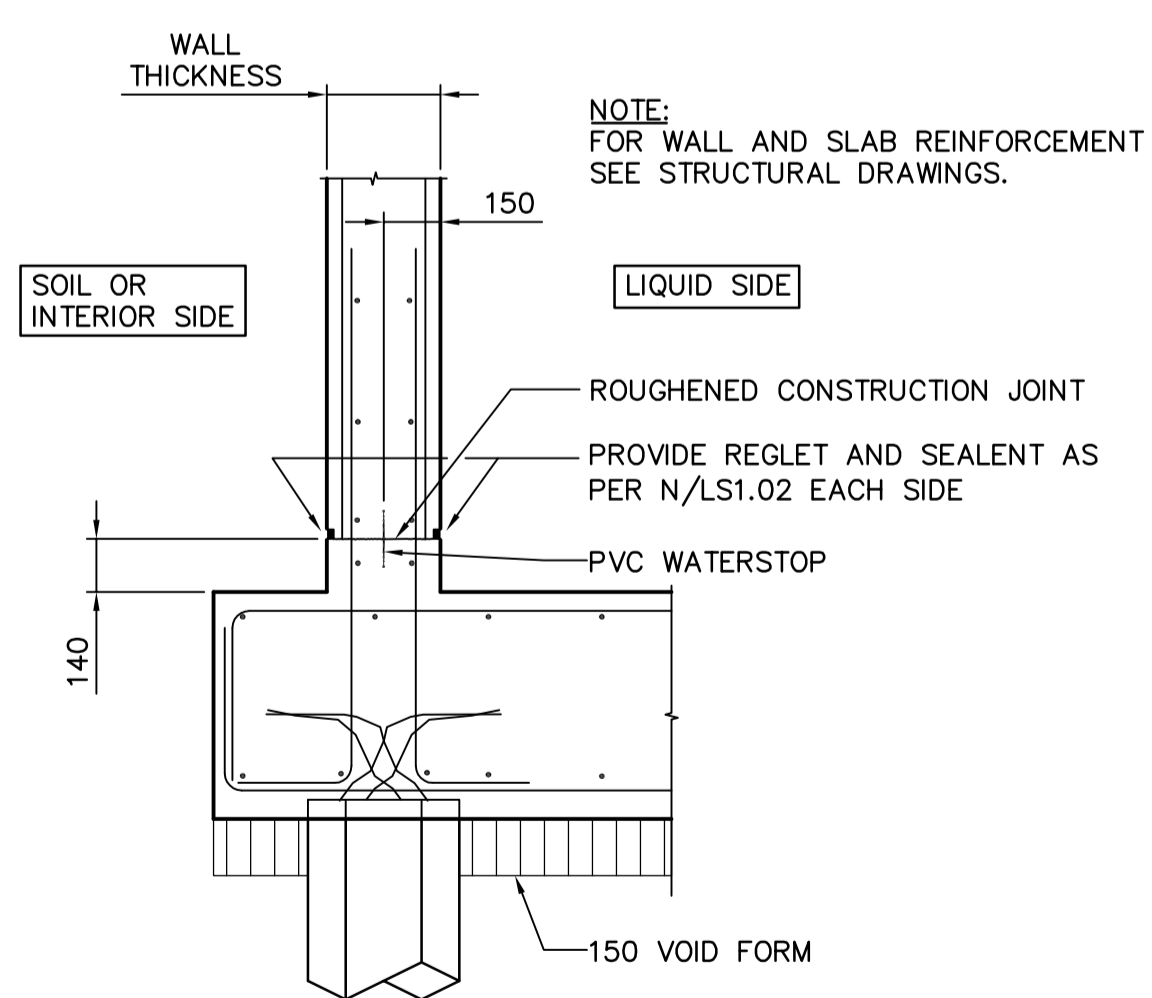


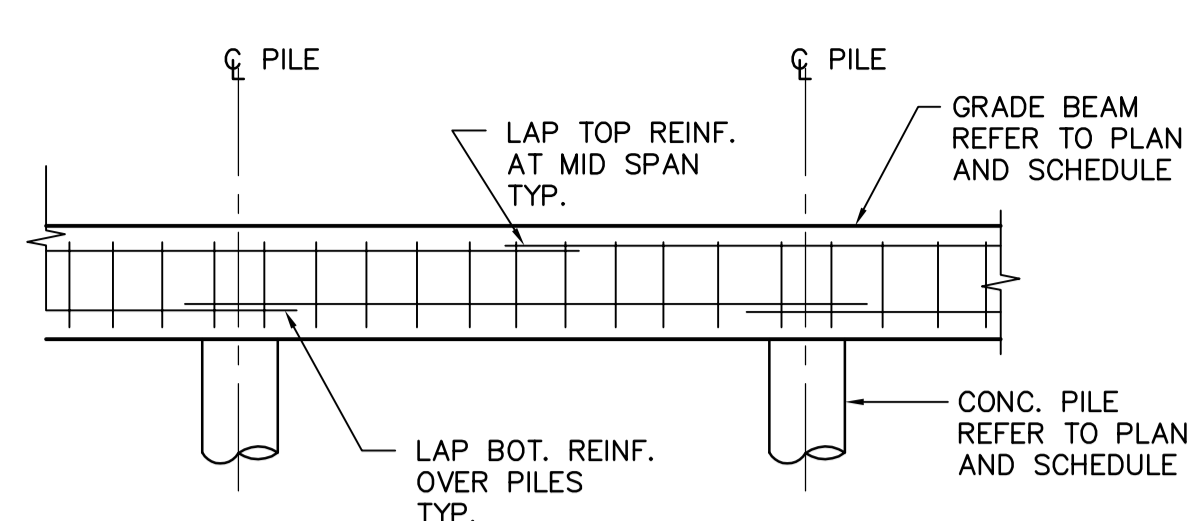
A TYPICAL PILE CAP DETAIL
STD 1:20



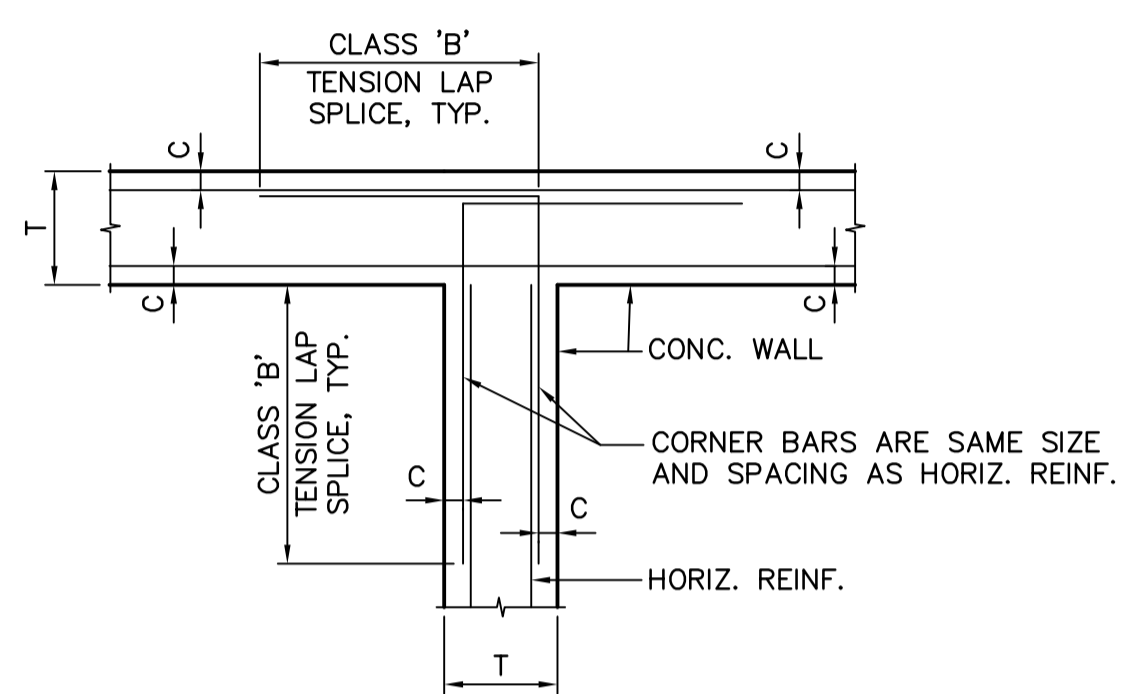
B PILE AT FLOOR SLAB/BEAM DETAIL
STD 1:20



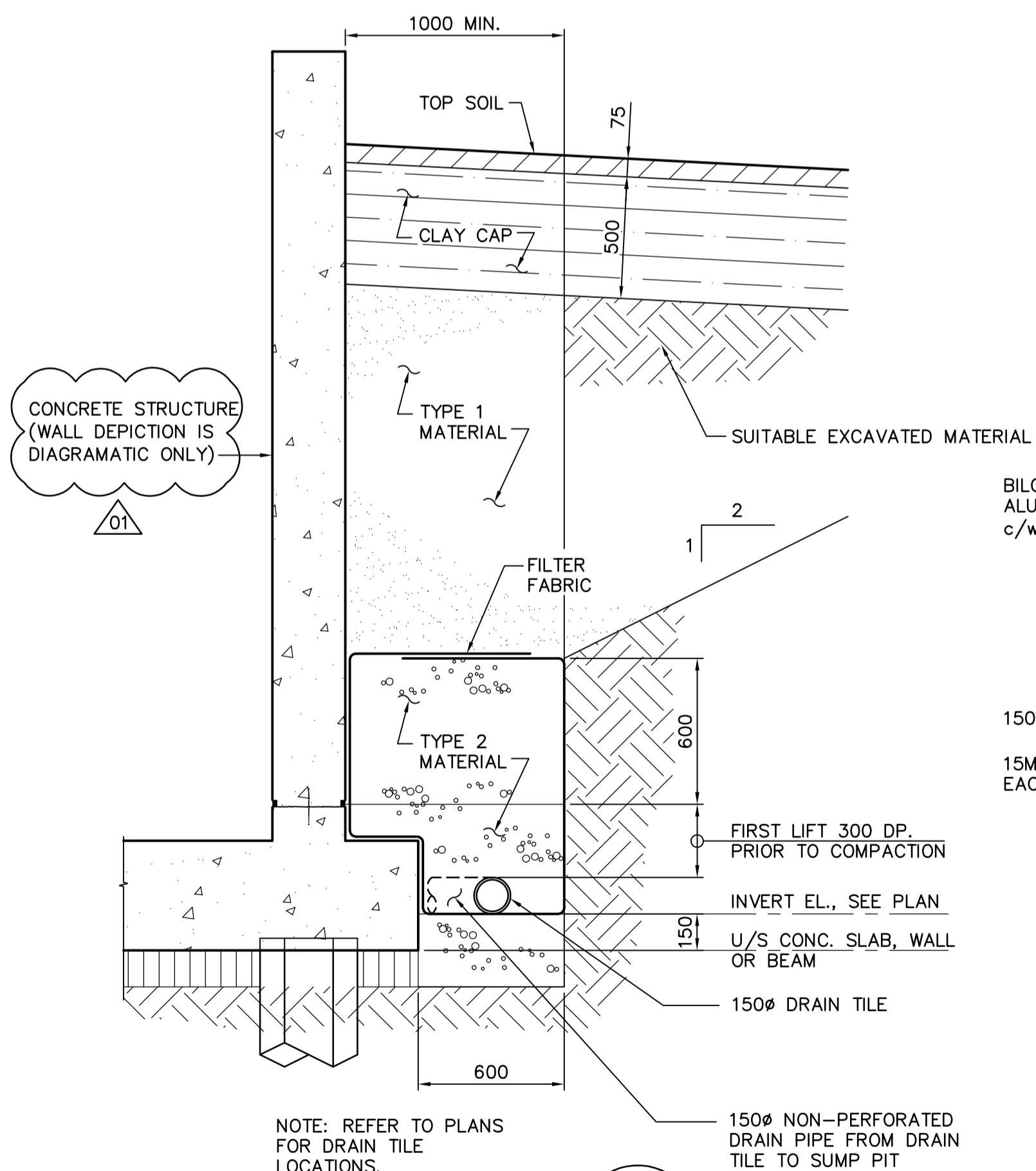
C TYPICAL CONSTRUCTION JOINT FOR TANK WALL TO TANK BASE SLAB
STD 1:20



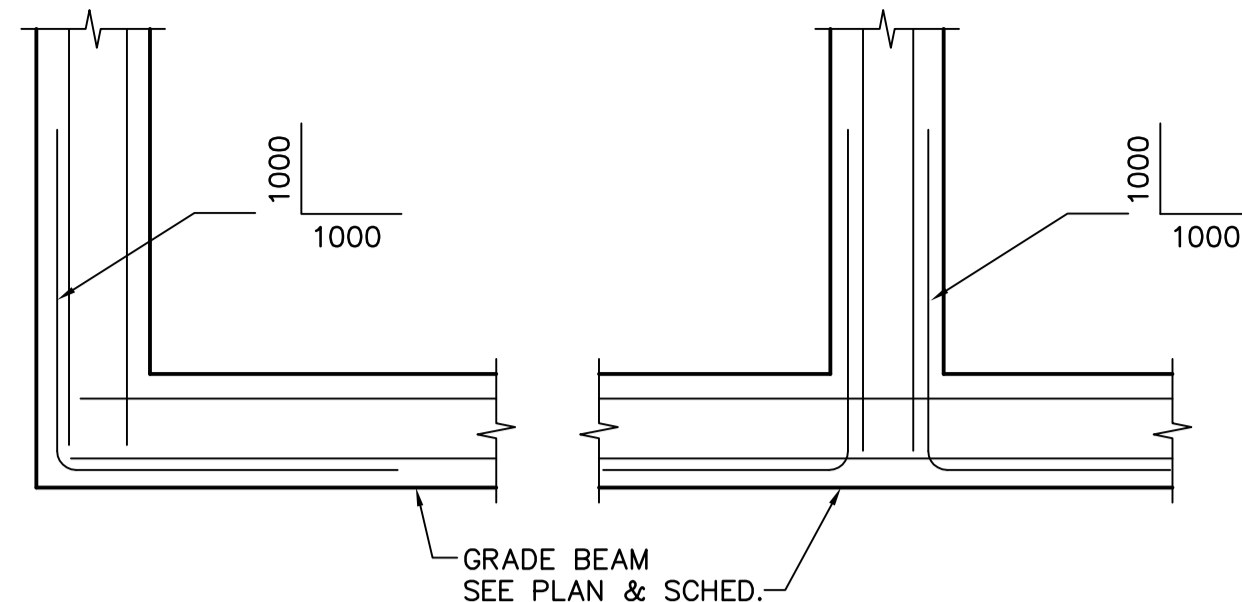
D GRADE BEAM SPLICE DETAIL
STD N.T.S.



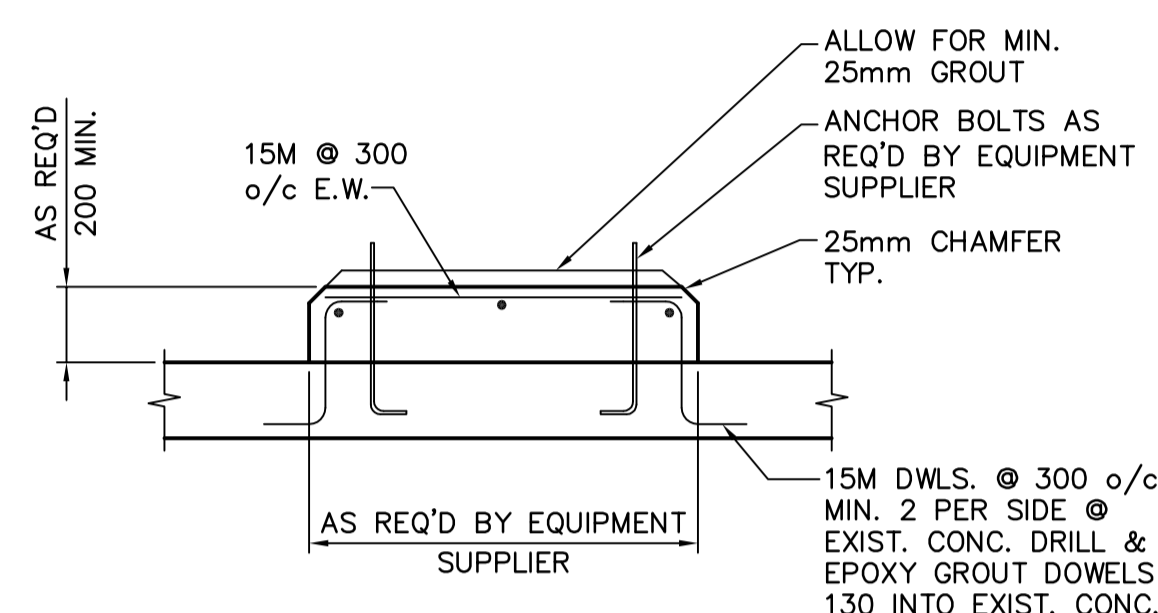
E WALL INTERSECTION REINFORCING DETAIL
STD 1:20
VERTICAL REINFORCING NOT SHOWN. REFER TO SPECIFIC SECTION FOR REINFORCING DETAILS.
C = CONC. COVER AS SPECIFIED
T = REFER TO SCHED.



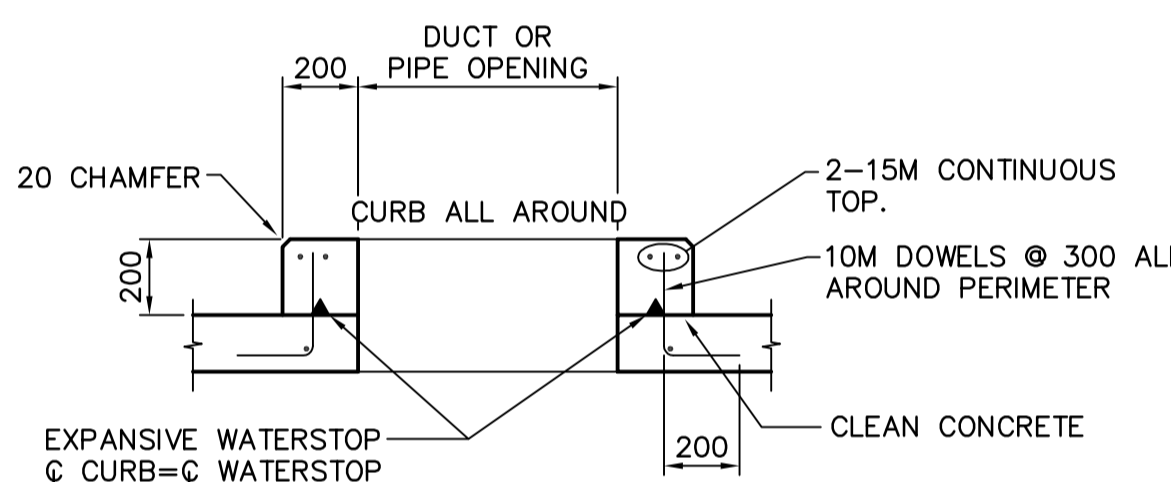
F TYPICAL BACKFILL WITH OR WITHOUT DRAIN TILE
STD 1:20



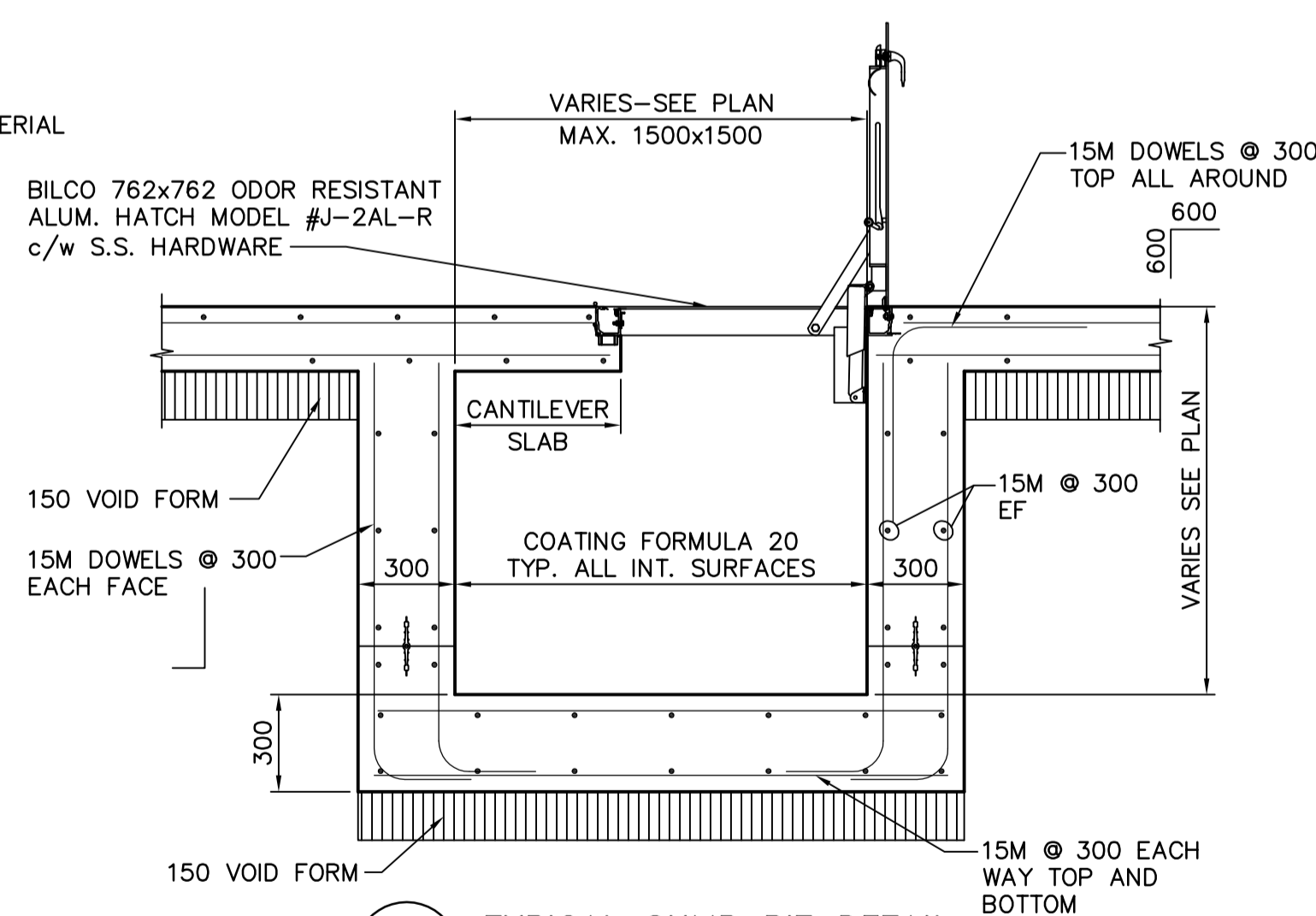
G TYPICAL GRADE BEAM CORNER REINFORCING DETAIL
STD N.T.S.
CORNER BARS SAME SIZE AND SPACING AS HORIZONTAL REINFORCING



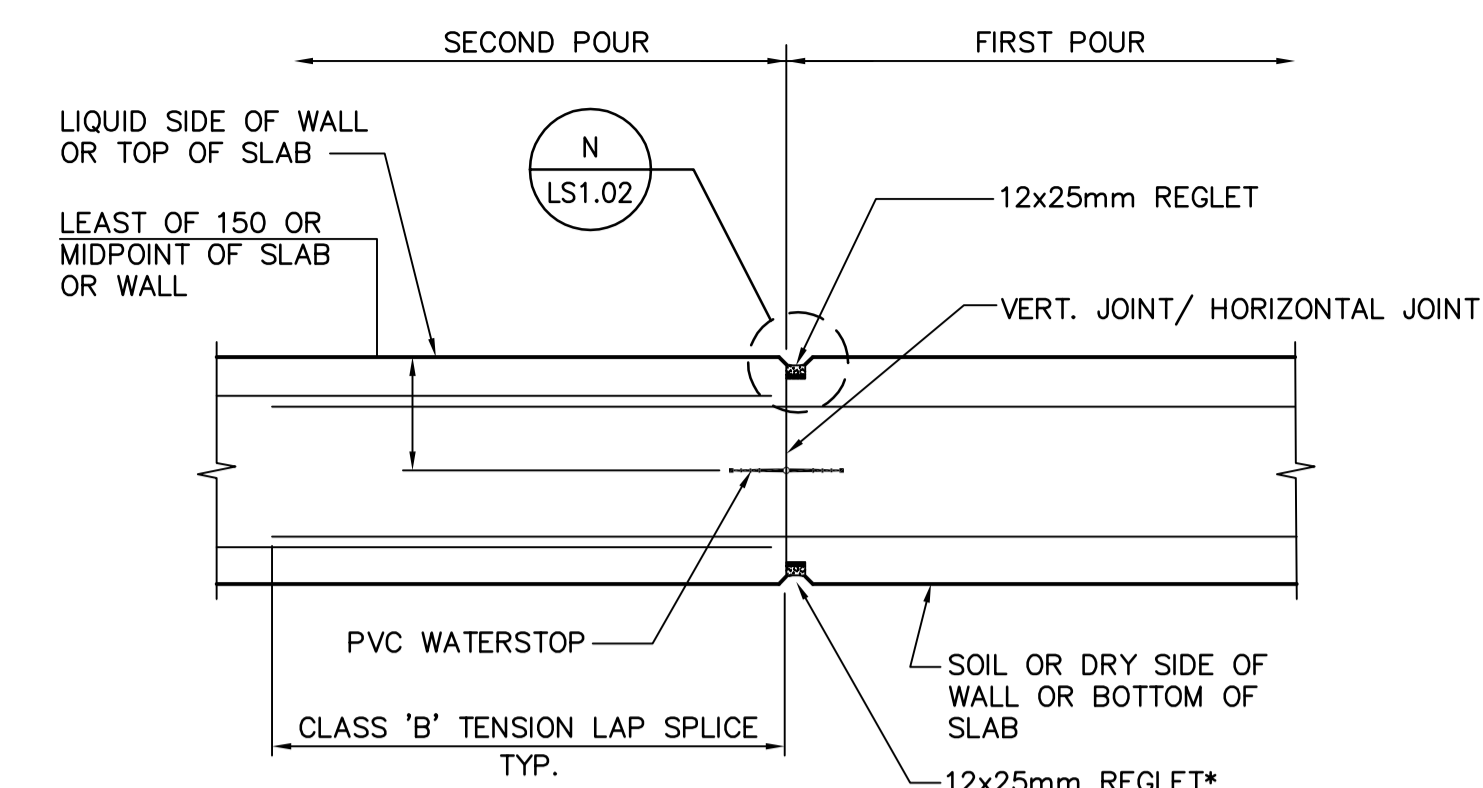
H HOUSE KEEPING PAD DETAIL
STD 1:20



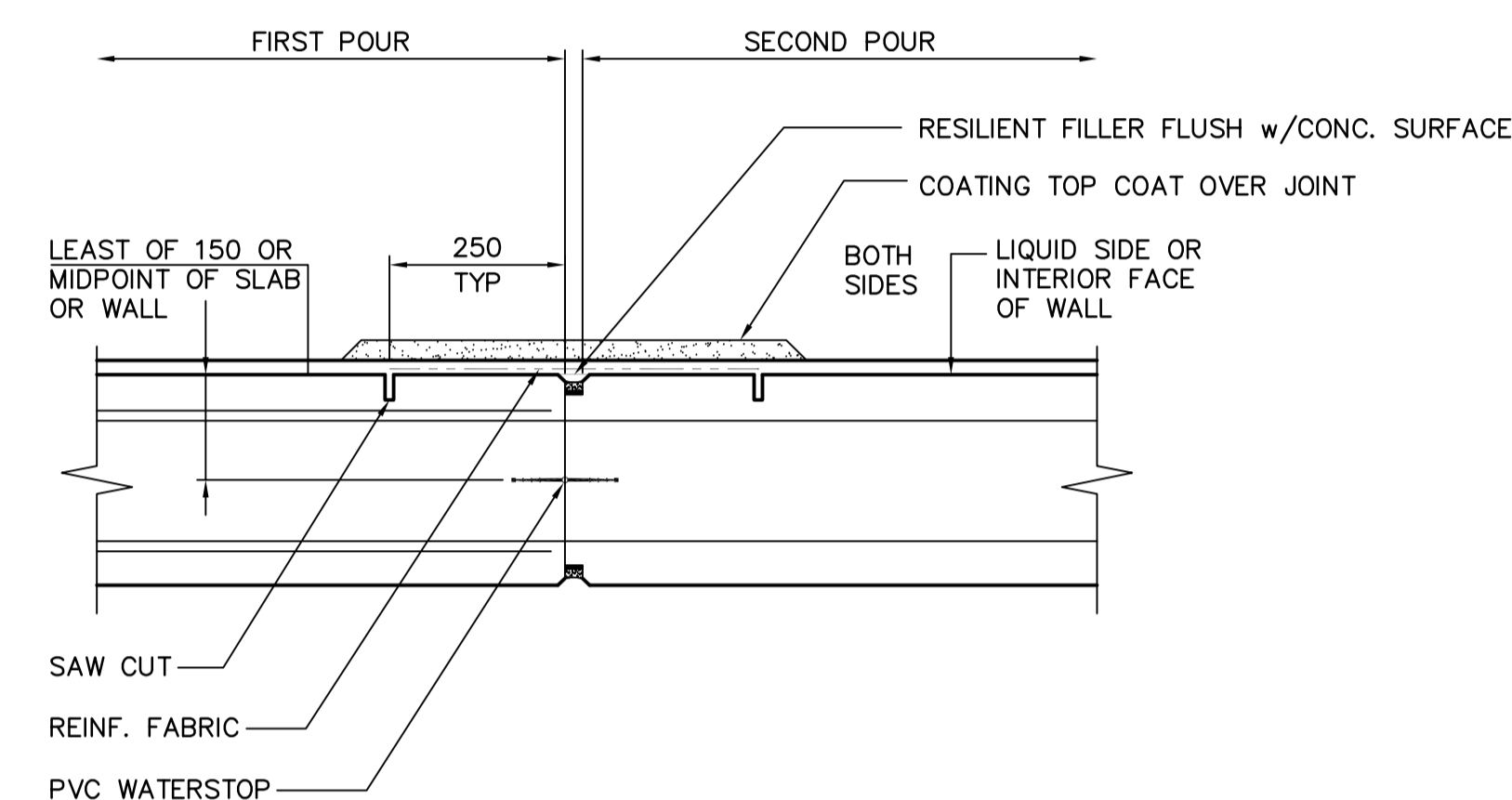
J CURB AROUND DUCT OR PIPE
STD 1:20



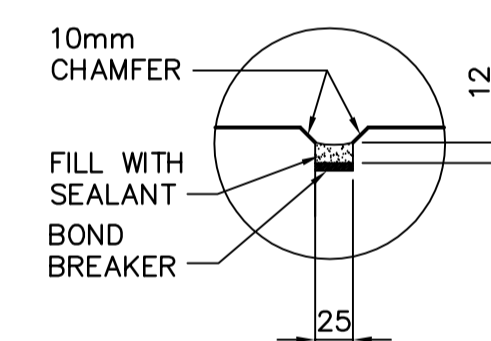
K TYPICAL SUMP PIT DETAIL
STD 1:20



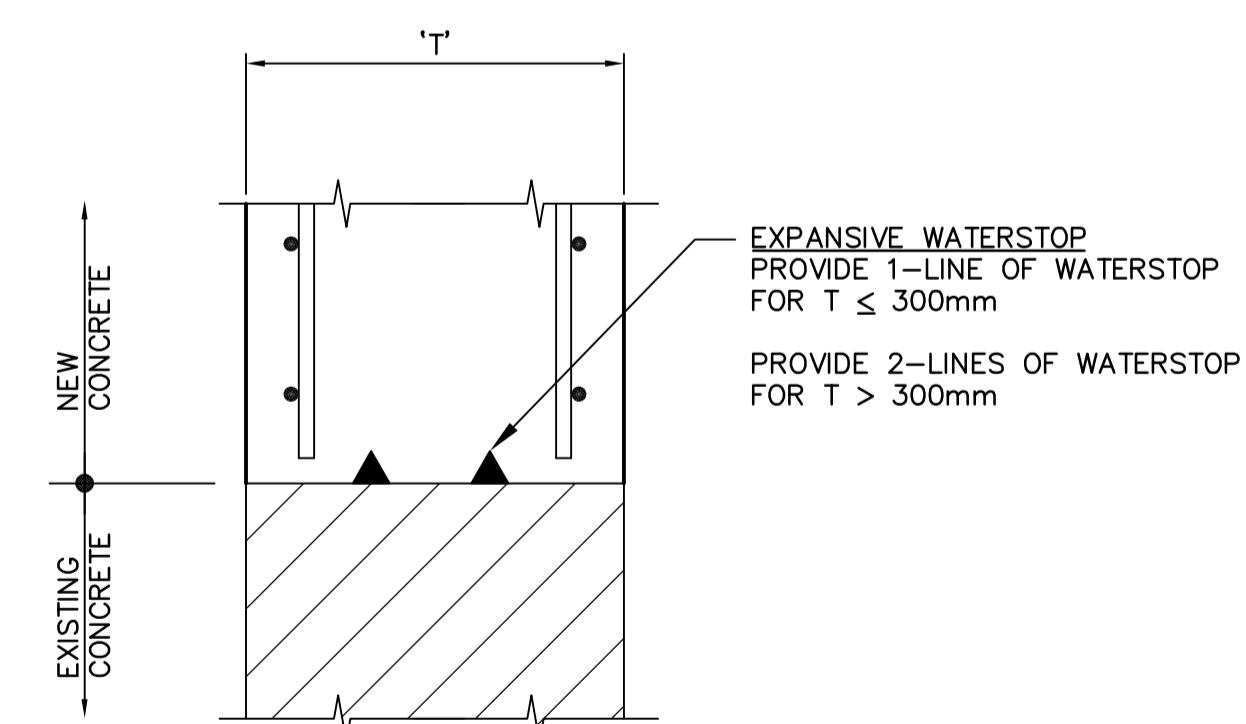
L TYPICAL WALL/SLAB CONSTRUCTION JOINT
STD N.T.S.
*NOT APPLICABLE FOR SLAB ON GRADE.
REINFORCING IN PERPENDICULAR DIRECTION NOT SHOWN. REFER TO SPECIFIC SECTION FOR REINFORCING DETAILS.



M TYPICAL WALL CONSTRUCTION JOINT WITH COATING
STD N.T.S.



N JOINT SEALANT DETAIL
STD 1:5



P EXPANSIVE WATERSTOP DETAIL
STD N.T.S.

B.M. ELEV.	 A Tyco International Ltd. Company		ENGINEER'S SEAL
			ORIGINAL SIGNED BY M. KLASSEN 2006/04/26
DESIGNED BY ARA	CHECKED BY JEH	CONSULTANT DRAWING NO. LS1.02	
DRAWN BY NDH	APPROVED BY JEH	CITY FILE NUMBER	
HOR. SCALE: VERTICAL SCALE:	RELEASED FOR CONSTRUCTION BY: J. VEILLEUX	SHEET OF	
NO. REVISIONS	DATE	DATE	CITY DRAWING NUMBER
01 21-2006 ADDENDUM 3	06/05/19 NS	2006/04/26	
00 ISSUED FOR TENDER	06/04/26 KK	2006/04/26	

APEGM
Certificate of Authorization
Earth Tech Canada Inc.
No. 730 Expiry: April 30, 2006

THE CITY OF WINNIPEG
WATER AND WASTE DEPARTMENT
ENGINEERING DIVISION

WEWPC
BIOLOGICAL NUTRIENT REMOVAL UPGRADE
CONTRACT 3

STRUCTURAL
AREA L - GENERAL AND SITEWORKS
STANDARD DETAILS