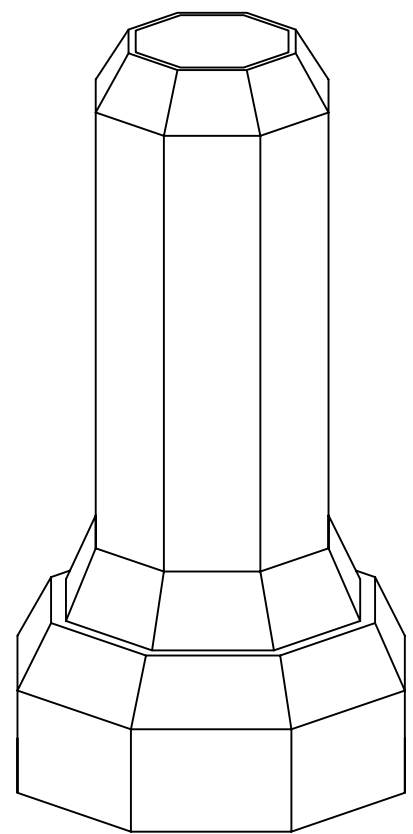
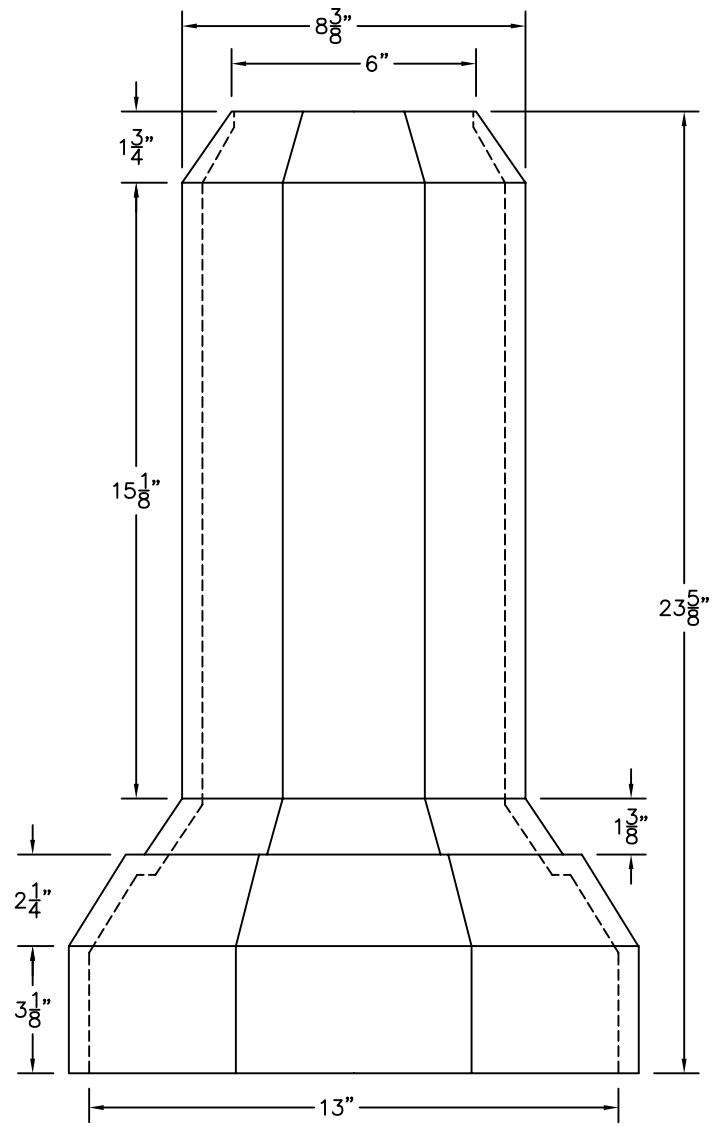


ITEM No.	No. REQ'D	DESCRIPTION	MATERIAL	DWG. No.
----------	-----------	-------------	----------	----------



No. REQ'D.	W.O. No.	FILE No.	DATE	P.O. No.	CUSTOMER	LOCATION
					1450 SASKATCHEWAN AVENUE WINNIPEG, MANITOBA. R3E 0L3 MAILING ADDRESS: P.O. BOX 45021, RPO REGENT WINNIPEG, MANITOBA. R2C 5C7 TEL: (204)987-3110 FAX: (204)775-9066	
TITLE						
BROADWAY DECORATIVE CASTING						
REV.No.	CHANGE	BY	APP.	DATE	DWG. No.	SHT. 1 of 1 SHTS.
DRAWN BY	G.G.	APP. BY			BROADWAY	REV. No. 0
DATE	MAY 98	SCALE	NTS			