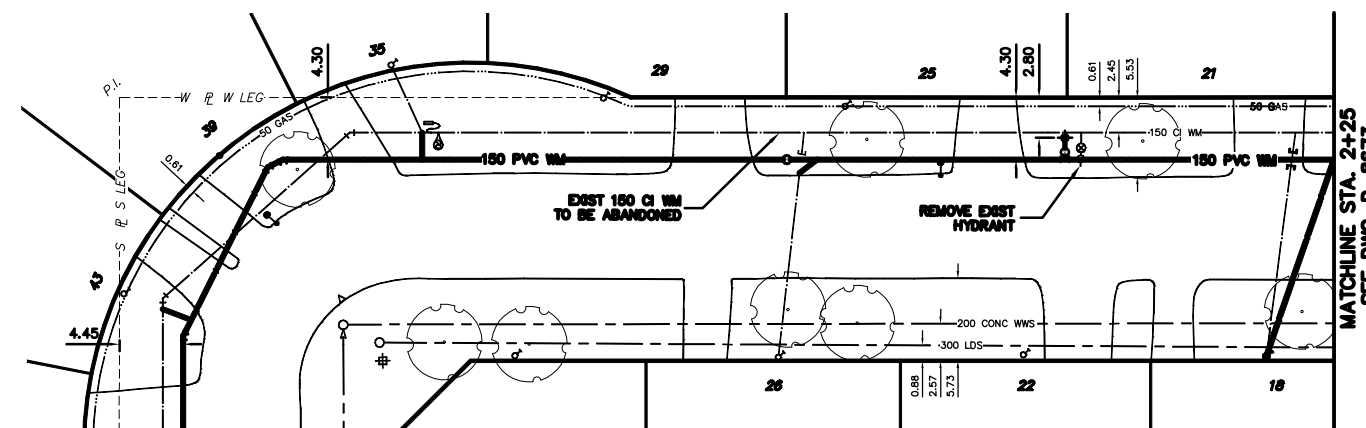
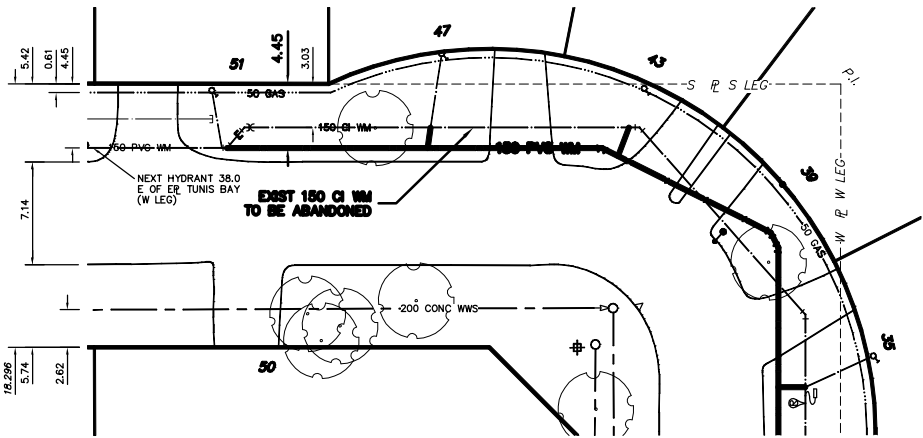


NOTE: CHAINAGES SHOWN ARE ALONG S. R. OF TUNIS BAY (S LEG)

NOTE: CHAINAGES SHOWN ARE ALONG W. R. OF TUNIS BAY (W LEG)

TUNIS BAY (S LEG)

TUNIS BAY (W LEG)



WATER SERVICE INFORMATION

ADDRESS	SIZE(mm) & TYPE (STREET)	SIZE(mm) & TYPE (PROP)	SHORT & LONG MEASUREMENT	CORP. LOCATION	REMARKS
18 TUNIS BAY RESIDENTIAL	-	-	5.33 NSL HSE	14.94 N HYD	-
21 TUNIS BAY RESIDENTIAL	-	-	5.49 OUT FROM HSE	-	-
21 TUNIS BAY RESIDENTIAL	-	-	7.01 SNL HSE	-	ABAND. SERV. 1.83 S OF HL
22 TUNIS BAY RESIDENTIAL	-	-	5.03 OUT FROM HSE	-	-
22 TUNIS BAY RESIDENTIAL	-	-	6.71 SNL HSE	-	-
22 TUNIS BAY RESIDENTIAL	-	-	11.89 OUT FROM HSE	-	-
25 TUNIS BAY RESIDENTIAL	-	-	1.83 NSL HSE	-	-
25 TUNIS BAY RESIDENTIAL	-	-	16.15 OUT FROM HOUSE	-	-
26 TUNIS BAY RESIDENTIAL	-	-	6.10 SNL HSE	19.20 S HYD	-
29 TUNIS BAY RESIDENTIAL	-	-	5.18 OUT FROM HSE	-	-
29 TUNIS BAY RESIDENTIAL	-	-	6.10 NSL HSE	-	-
29 TUNIS BAY RESIDENTIAL	-	-	5.49 OUT FROM HSE	-	-
35 CORNELL DR RESIDENTIAL	-	-	4.72 SNL HSE	45.72 S HYD	-
35 CORNELL DR RESIDENTIAL	-	-	7.01 OUT FROM HSE	-	-
39 TUNIS BAY RESIDENTIAL	-	-	3.05 NSL HSE	-	-
43 TUNIS BAY RESIDENTIAL	-	-	9.45 OUT FROM HSE	-	-
43 TUNIS BAY RESIDENTIAL	-	-	3.96 WEL HSE	-	-
43 TUNIS BAY RESIDENTIAL	-	-	8.53 OUT FROM HSE	-	-
47 TUNIS BAY RESIDENTIAL	-	-	5.18 WEL HSE	24.08 W VALVE	-
47 TUNIS BAY RESIDENTIAL	-	-	7.47 OUT FROM HSE	-	-
50 TUNIS BAY RESIDENTIAL	-	-	9.45 FROM S L/L	-	-
51 TUNIS BAY RESIDENTIAL	-	-	5.49 ENL HSE	1.05 W OF S/C	RECONN. TO NEW MAIN
51 TUNIS BAY RESIDENTIAL	-	-	18.19 W HYD #55	-	-

•SERVICES TO BE RENEWED TO R. ALL OTHERS TO BE RECONNECTED

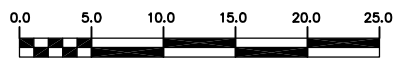
- CONSTRUCTION NOTES**
1. EXPOSE EXISTING WATERMAIN & CONFIRM INVERTS PRIOR TO CONSTRUCTION.
  2. LOCATION OF ALL SERVICES TO BE CONFIRMED IN THE FIELD.
  3. INSTALL WATERMAIN BY TRENCHLESS METHODS.
  4. TRENCHES AND EXCAVATIONS WITHIN 1 METRE OF A PAVED AREA INCLUDING SIDEWALKS SHALL BE CLASS 3 BACKFILL.
  5. ALL MATERIALS SHALL CONFORM TO THE CITY OF WINNIPEG STANDARD CONSTRUCTION SPECIFICATIONS.
  6. MINIMUM COVER TO TOP OF WATERMAIN SHALL BE 2.4 m.
  7. REPLACE ALL EXISTING LEAD SERVICES FROM PROPOSED WATERMAIN TO R.
  8. NOTIFY ALL AFFECTED RESIDENTS AND BUSINESSES 24 HOURS IN ADVANCE OF ANY WATER SHUTDOWNS OR DISRUPTION OF SERVICE.

**METRIC**  
WHOLE NUMBERS INDICATE MILLIMETRES  
DECIMALIZED NUMBERS INDICATE METRES

NOTE: ALL VALVES TO BE INSTALLED COUNTERCLOCKWISE TO CLOSE

**WARNING**

IF POWER EQUIPMENT OR EXPLOSIVES ARE TO BE USED FOR EXCAVATION ON THIS PROJECT THE CONTRACTOR MUST:  
1) NOTIFY THE GAS COMPANY OF THE PROPOSED LOCATION OF EXCAVATION.  
2) TAKE PRECAUTION TO AVOID DAMAGE TO GAS COMPANY INSTALLATIONS.  
SEE PROVINCIAL REGULATION 210/72 FOR DETAILS



EXISTING	LEGEND-PLAN	PROPOSED	EXISTING	LEGEND-PLAN	PROPOSED	EXISTING	LEGEND-PROFILE	PROPOSED
200 WM	WATERMAIN	200 WM	SL, HYDRO	50 GAS	50 GAS	150 WM	WATERMAIN	150 WM
525 LDS	LAND DRAINAGE SEWER	525 LDS	MTS	300 LDS	300 LDS	300 LDS	HYDRANT	300 LDS
375 WWS	WASTEWATER SEWER	375 WWS	TRAFFIC SIGNALS	250 WWS	250 WWS	250 WWS	VALVE	250 WWS
○	MANHOLE	○	SURVEY BAR	○	○	○	PROFILE	○
□	CATCH BASIN	□	FENCE	○	○	○	GROUND ABOVE PIPE	○
▽	CURB INLET	▽	POLE - HYDRO, MTS	○	○	○		○
▽	CURB INLET	▽	CURB STOP	○	○	○		○
▽	REDUCER	▽	GUY ANCHOR	○	○	○		○
X	COUPLING	X	LIGHT STANDARD	○	○	○		○
⊕	ANODE	⊕	TREE	○	○	○		○
—	LEGEND-PLAN	—	LEGEND-PLAN	—	—	—	LEGEND-PROFILE	—

LOCATION APPROVED UNDERGROUND STRUCTURES	DATE	B.M. ELEV.	FIELD BOOK #
SUPV. U/G STRUCTURES COMMITTEE			
POSTED TO LRIS			
NO. REVISIONS	DATE	BY	

**CITY OF WINNIPEG WATER AND WASTE ENGINEERING DIVISION**

DESIGNED BY: SC  
DRAWN BY: CJH  
HOR. SCALE: 1:250  
VERTICAL: 1:50  
DATE: 2005 03 18

CHECKED BY: KZ  
APPROVED BY: KZ  
RELEASED FOR CONSTRUCTION: \_\_\_\_\_  
DATE: \_\_\_\_\_

ENGINEER'S SEAL  
ORIGINAL SIGNED BY K.R. ZUREK  
05/03/18

**THE CITY OF WINNIPEG WATER AND WASTE DEPARTMENT**

2005 WATERMAIN RENEWALS

**TUNIS BAY (W LEG)**  
175 S OF SP SILVERSTONE AVENUE TO 75 S OF SP SILVERSTONE AVENUE

SHEET 11 OF 18  
CITY DRAWING NUMBER  
D-8672

BID OPPORTUNITY: 135-2005  
FILENAME: D-8672\_D-8673.dwg  
PLOT DATE: 2005 03 21